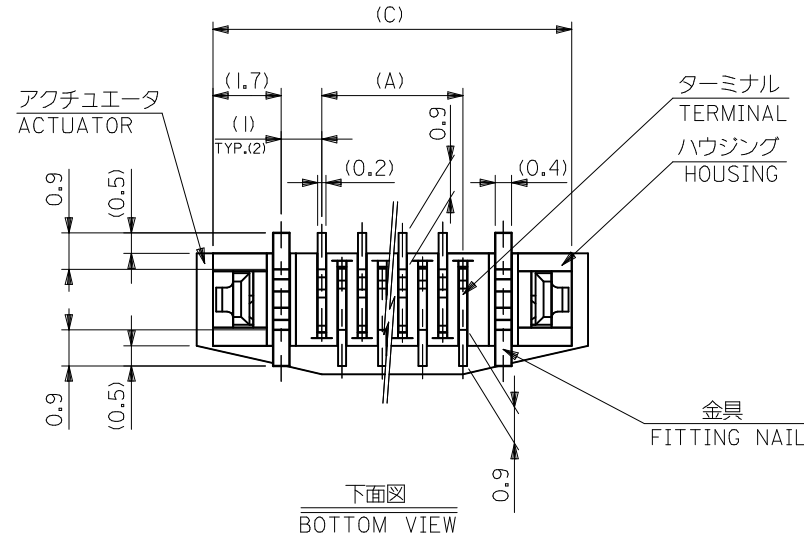


注記 NOTES

- 使用材料 : MATERIAL
 ハウジング HOUSING : 46NYLON UL94V-0
 アクチュエータ ACTUATOR : PPS UL94V-0
 ターミナル TERMINAL : リン青銅 (t=0.2) PHOS-BRO
 : 接点部 金メッキ 0.1マイクロメートル以上 CONTACT GOLD 0.1 MICROMETER MINIMUM
 : 半田付け部 錫メッキ 1.0マイクロメートル以上 TAIL TIN 1.0 MICROMETER MINIMUM
 : ニッケル下地 1.0マイクロメートル以上 NICKEL(UNDER PLATING) 1.0 MICROMETER MINIMUM
 金具 FITTING NAIL : リン青銅 (t=0.4) PHOS-BRO
 : 錫メッキ 1.0マイクロメートル以上 TIN 1.0 MICROMETER MINIMUM
 : ニッケル下地 1.0マイクロメートル以上 NICKEL(UNDER PLATING) 1.0 MICROMETER MINIMUM
- エンボスステップ梱包時は、アクチュエータがロックした状態とする。
 IN THE PACKAGE, ACTUATOR OF PART NO. 52559-**79 SHOULD BE LOCKED.
 △ソルダータール半田付け面のズレ量、及び金具半田付け面のズレ量は、基準面 G に対し上方向 0.05 MAX. , 下方向 0.15 MAX. とする。
 MISALIGNMENT OF SOLDER TAILS AND FITTING NAILS FROM G UPPER DIRECTION: 0.05 MAX. , LOWER DIRECTION: 0.15 MAX.
 △偶数種に適用。
 APPLY FOR EVEN CIRCUIT.
 △パターンはくり止め用金具。
 FITTING NAIL FOR PREVENTION OF PEELING OF P.C.B. PATTERN.
 △RO. 3は、FPCの導体部にカカらないこと。
 RO.3 MUST NOT BE OVERLAPPED TO PATTERN OF FPC.

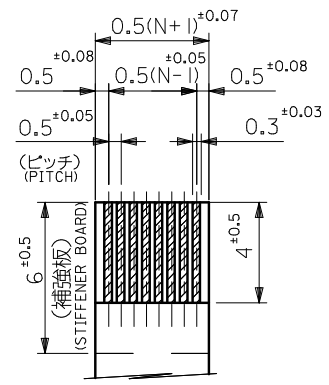
REVISED EC NO: J2016-0020 DRWN: YUHASHIGAWA 2015/07/16 CHKD: APPR: YNOGAWA 2015/07/10	GENERAL TOLERANCES (UNLESS SPECIFIED)		DIMENSION STYLE MM ONLY		SCALE ---	DESIGN UNITS METRIC	THIRD ANGLE PROJECTION
	0.25 UNDER	UNDER	±0.03	DRAWN BY MNABEI	DATE '04/07/13	TITLE 0.5 FPC CONN ASSY ZIF.	
	0.25 OVER	0.5 UNDER	±0.05	CHECKED BY KTOJO	DATE '04/07/13	-LEAD FREE-	
	0.5 OVER	1.0 UNDER	±0.1	APPROVED BY NUKITA	DATE '04/07/13	molex	
1.0 OVER	10 UNDER	±0.2	MATERIAL NO.	DOCUMENT NO.	SHEET NO.		
10 OVER	30 UNDER	±0.25	SEE SHEET 2		SD-52559-048		1 OF 2
30 OVER		±0.3	THIS DRAWING CONTAINS INFORMATION THAT IS PROPRIETARY TO MOLEX INCORPORATED AND SHOULD NOT BE USED WITHOUT WRITTEN PERMISSION				
ANGULAR ±3 °			DRAFT WHERE APPLICABLE MUST REMAIN WITHIN DIMENSIONS				



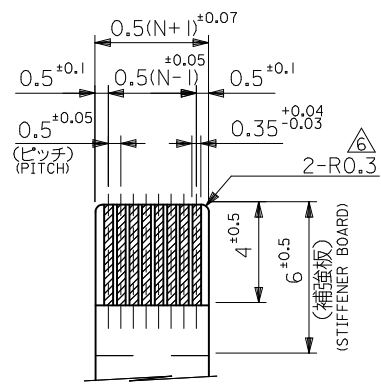
FPCについて：
 打抜き方向は導体側から補強板側を推奨致します。
 補強フィルム材質はポリイミドを推奨致します。
 接着剤は熱硬化接着剤を推奨致します。

ABOUT FPC :
 RECOMMENDED PUNCHER DIRECTION : FROM CONDUCTOR SIDE TO STIFFENER BOARD SIDE.
 RECOMMENDED MATERIAL :
 STIFFENER FILM : POLYIMIDE
 BONDING AGENT : THERMOSETTING BONDING AGENT

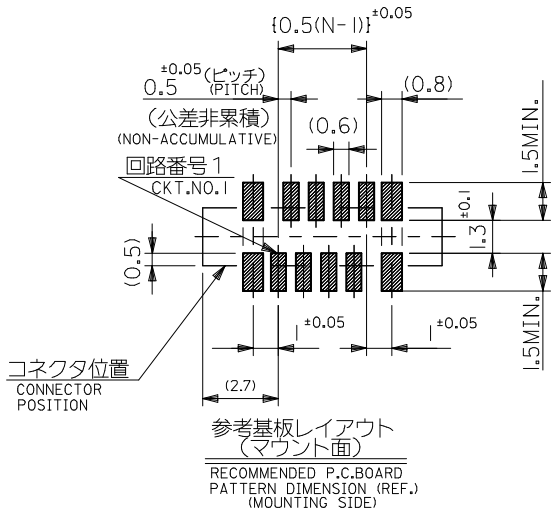
下面図
 BOTTOM VIEW



適合F F C推奨寸法
 APPLICABLE FFC
 RECOMMENDED DIMENSION.
 (仕上がり厚さ: 0.3±0.05)
 (THICKNESS: 0.3±0.05)



適合F P C推奨寸法
 APPLICABLE FPC
 RECOMMENDED DIMENSION.
 (仕上がり厚さ: 0.3±0.05)
 (THICKNESS: 0.3±0.05)



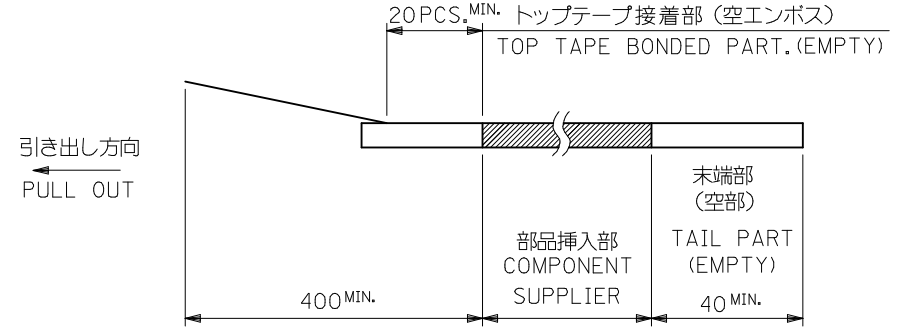
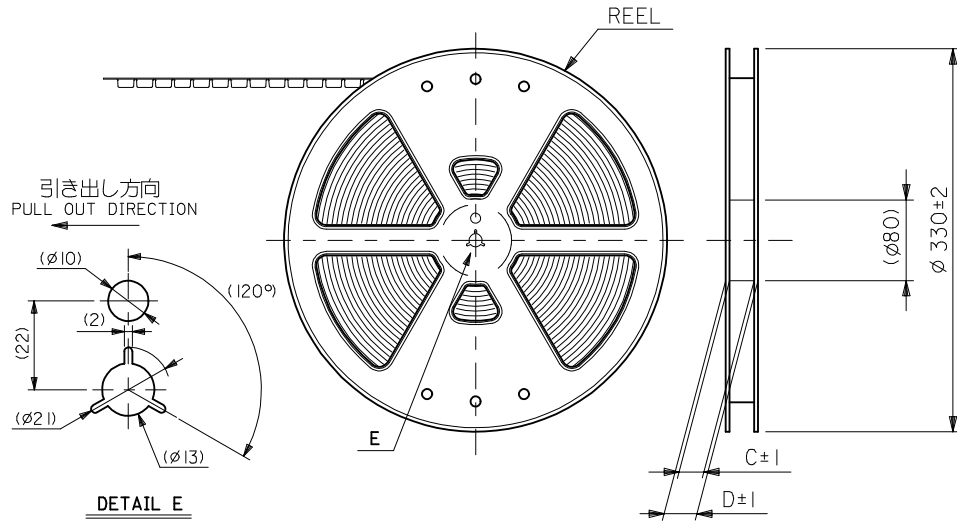
25.7	24.9	20.65	19.5	52559-4079	40
23.7	22.9	18.65	17.5	-3679	36
22.2	21.4	17.15	16.0	-3379	33
21.7	20.9	16.65	15.5	-3279	32
20.7	19.9	15.65	14.5	-3079	30
19.7	18.9	14.65	13.5	-2879	28
19.2	18.4	14.15	13.0	-2779	27
18.7	17.9	13.65	12.5	-2679	26
18.2	17.4	13.15	12.0	-2579	25
17.7	16.9	12.65	11.5	-2479	24
17.2	16.4	12.15	11.0	-2379	23
16.7	15.9	11.65	10.5	-2279	22
16.2	15.4	11.15	10.0	-2179	21
15.7	14.9	10.65	9.5	-2079	20
14.7	13.9	9.65	8.5	-1879	18
14.2	13.4	9.15	8.0	-1779	17
13.7	12.9	8.65	7.5	-1679	16
13.2	12.4	8.15	7.0	-1579	15
12.7	11.9	7.65	6.5	-1479	14
12.2	11.4	7.15	6.0	-1379	13
11.7	10.9	6.65	5.5	-1279	12
10.7	9.9	5.65	4.5	-1079	10
10.2	9.4	5.15	4.0	-0979	9
9.7	8.9	4.65	3.5	-0879	8
8.7	7.9	3.65	2.5	52559-0679	6
D	C	B	(A)	CONNECTOR SERIES No.	極数 CKT.

ORDER No. : 52559-**52/-**53/-**54/-**56

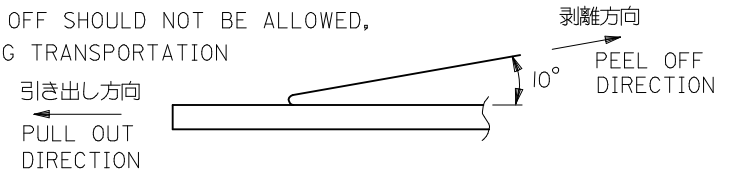
REVISED EC NO: J2016-0020 DRWN: YUHASHIGAWA 2015/07/16 CHKD: APPR: YNOGAWA 2015/07/10	GENERAL TOLERANCES (UNLESS SPECIFIED)		DIMENSION STYLE MM ONLY		SCALE ---	DESIGN UNITS METRIC	THIRD ANGLE PROJECTION
	0.25 UNDER	UNDER	±0.03	DRAWN BY MNABEI	DATE '04/07/13	TITLE 0.5 FPC CONN ASSY ZIF.	
	0.25 OVER	0.5 UNDER	±0.05	CHECKED BY KTOJO	DATE '04/07/13	-LEAD FREE-	
	0.5 OVER	1.0 UNDER	±0.1	APPROVED BY NUKITA	DATE '04/07/13		
	1.0 OVER	10 UNDER	±0.2	MATERIAL NO.	DOCUMENT NO.	SHEET NO. 2 OF 2	
30 OVER	30 UNDER	±0.25	SEE CHART		SD-52559-048		
ANGULAR ±3 °			DRAFT WHERE APPLICABLE MUST REMAIN WITHIN DIMENSIONS		THIS DRAWING CONTAINS INFORMATION THAT IS PROPRIETARY TO MOLEX INCORPORATED AND SHOULD NOT BE USED WITHOUT WRITTEN PERMISSION		

注記 NOTES

- 製品番号 52559-**79 の梱包状態はアクチュエータがロックした状態とする。
 詳細寸法については 製品単体図面を参照下さい。
 IN THE PACKAGE,ACTUATOR OF PART NO.52559-**79 SHOULD BE LOCKED
 RE DETAILED DIMENSIONS,SEE ASSY DRAWING
- 梱包数量：1000個/リール
 NUMBER OF CONNECTORS:1000PCS/REEL
- リードテープ長さ LEAD TAPE LENGTH



- トップテープの剥離強度：(剥離方向は下図参照)
 0.1N~1.3N {10gf~130gf} 尚、本規格値は、出荷時に適用。
 (但し、輸送時に剥離が発生しない事。)
 PEELING OFF FORCE OF TOP TAPE
 0.1N~1.3N{10gf~130gf}(PEELING DIRECTION AS SHOWN IN FOLLOWING FIG.)
 THIS REQUIREMENT SHOULD BE APPLIED AT SHIPMENT
 PEEL OFF SHOULD NOT BE ALLOWED,
 DURING TRANSPORTATION



- 材料
 キャリアテープ：ポリプロピレン (PP)
 トップテープ：PET, PE, PEF
 リール：ポリスチレン (PS) <リサイクル材を含む>

MATERIAL CARRIER TAPE:POLYPROPYLENE
 TOP TAPE:PET,PE,PEF
 REEL:POLYSTYRENE (PS)
 <RECYCLE MATERIAL CONTAINED>

- 本製品は 52559-**53 のエンボステープ違い品である。
 THIS PRODUCT IS EMBOSSED TAPE DIFFERENCE ARTICLE OF 52559-**53.
- 本製品は乾燥剤入り、ハイバリア梱包仕様である。
 THIS PRODUCT IS HIGH BARRIER PACKAGE WITH DESICCANT.

REVISED EC NO: J2016-0020 DRWN:YUHASHIGAWA 2015/07/16 CHKD: APPR:YNOGAWA 2015/07/10 K	GENERAL TOLERANCES (UNLESS SPECIFIED)			DIMENSION STYLE MM ONLY		SCALE ---	DESIGN UNITS METRIC	THIRD ANGLE PROJECTION
	0.25 UNDER	UNDER	±0.03	DRAWN BY	DATE	TITLE		
	0.25 OVER	0.5 UNDER	±0.05	MNABEI	'04/07/13	0.5 FPC CONN ASSY ZIF FOR SMT EMBSTP PKG -LEAD FREE- molex		
	0.5 OVER	1.0 UNDER	±0.1	CHECKED BY	DATE			
1.0 OVER	10 UNDER	±0.2	KTOJO	'04/07/13	DOCUMENT NO.			
10 OVER	30 UNDER	±0.25	APPROVED BY	DATE	SD-52559-049			
30 OVER		±0.3	NUKITA	'04/07/13	SHEET NO.			
ANGULAR	±3 °		MATERIAL NO.		1 OF 4			
DRAFT WHERE APPLICABLE MUST REMAIN WITHIN DIMENSIONS				SIZE A3	THIS DRAWING CONTAINS INFORMATION THAT IS PROPRIETARY TO MOLEX INCORPORATED AND SHOULD NOT BE USED WITHOUT WRITTEN PERMISSION			

F

E

D

C

B

A

F

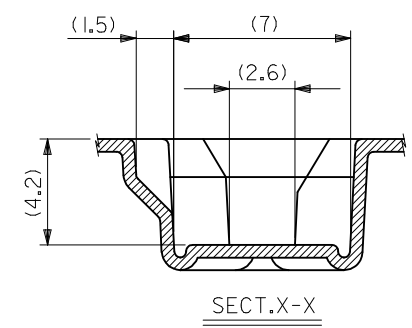
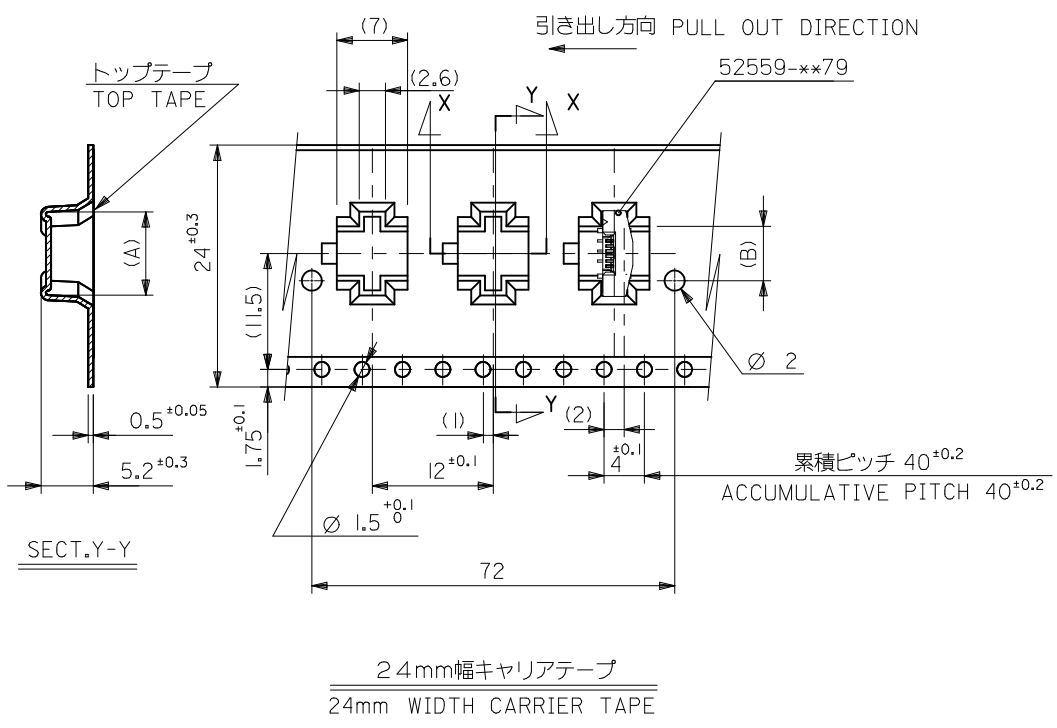
E

D

C

B

A



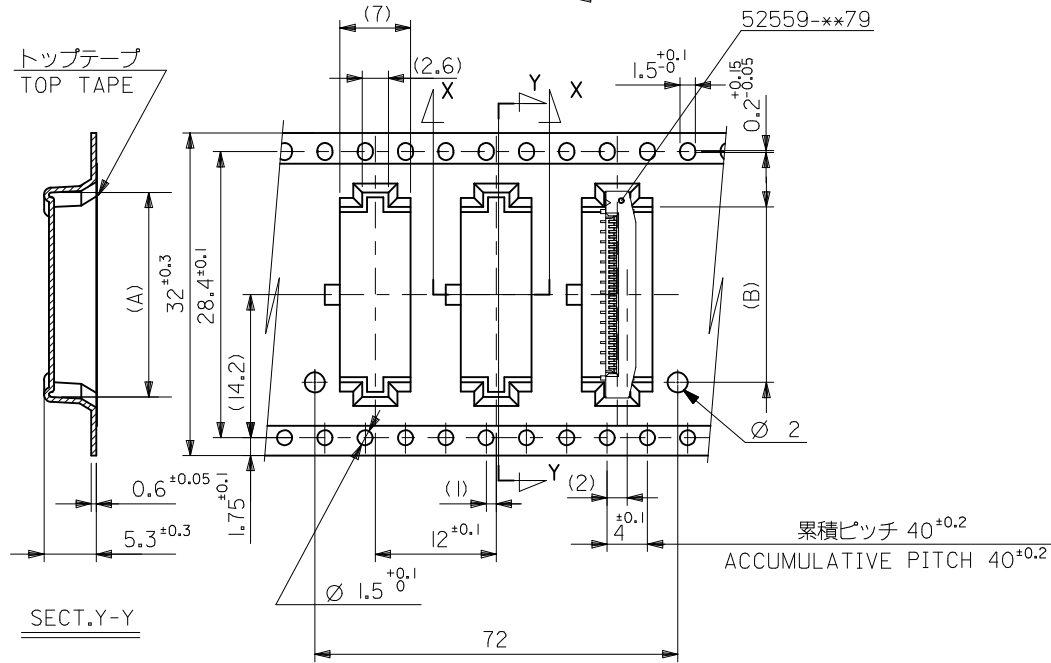
24	29.4	25.4	(B)	(A)	52559-2452	24
			(B)	(A)	52559-2352	23
			(B)	(A)	52559-2152	21
			(B)	(A)	52559-2052	20
			(B)	(A)	52559-1752	17
			(B)	(A)	52559-1652	16
			(B)	(A)	52559-1552	15
			(B)	(A)	52559-1452	14
			(B)	(A)	52559-1252	12
			(B)	(A)	52559-1052	10
(B)	(A)	52559-0952	9			
(B)	(A)	52559-0652	6			

REVISED EC NO: J2016-0020 DRWN: YUHASHIGAWA 2015/07/06 CHKD: APPR: YNOGAWA 2015/07/10 K	GENERAL TOLERANCES (UNLESS SPECIFIED)		DIMENSION STYLE		SCALE	DESIGN UNITS		THIRD ANGLE PROJECTION	
	0.25 UNDER UNDER ±0.03		MM ONLY		---	METRIC		⊙ □	
	0.25 OVER 0.5 UNDER ±0.05		DRAWN BY		DATE	TITLE			
	0.5 OVER 1.0 UNDER ±0.1		MNABEI		'04/07/13	0.5 FPC CONN ASSY ZIF FOR SMT EMBSTP PKG -LEAD FREE-			
	1.0 OVER 10 UNDER ±0.2		CHECKED BY		DATE	molex DOCUMENT NO. SD-52559-049 SHEET NO. 2 OF 4			
10 OVER 30 UNDER ±0.25		KTOJO		'04/07/13					
30 OVER ±0.3		APPROVED BY		DATE	THIS DRAWING CONTAINS INFORMATION THAT IS PROPRIETARY TO MOLEX INCORPORATED AND SHOULD NOT BE USED WITHOUT WRITTEN PERMISSION				
ANGULAR ±3 °		NUKITA		'04/07/13					
DRAFT WHERE APPLICABLE MUST REMAIN WITHIN DIMENSIONS		MATERIAL NO.							
		SIZE							
		A3							

引き出し方向 PULL OUT DIRECTION

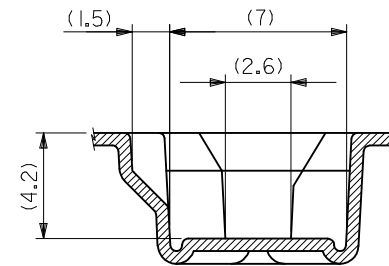
52559-**79

トップテープ
TOP TAPE



累積ピッチ 40±0.2
ACCUMULATIVE PITCH 40±0.2

32mm幅キャリアテープ
32mm WIDTH CARRIER TAPE

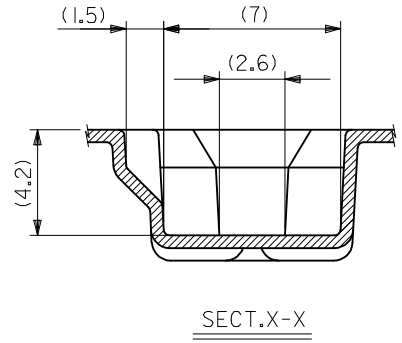
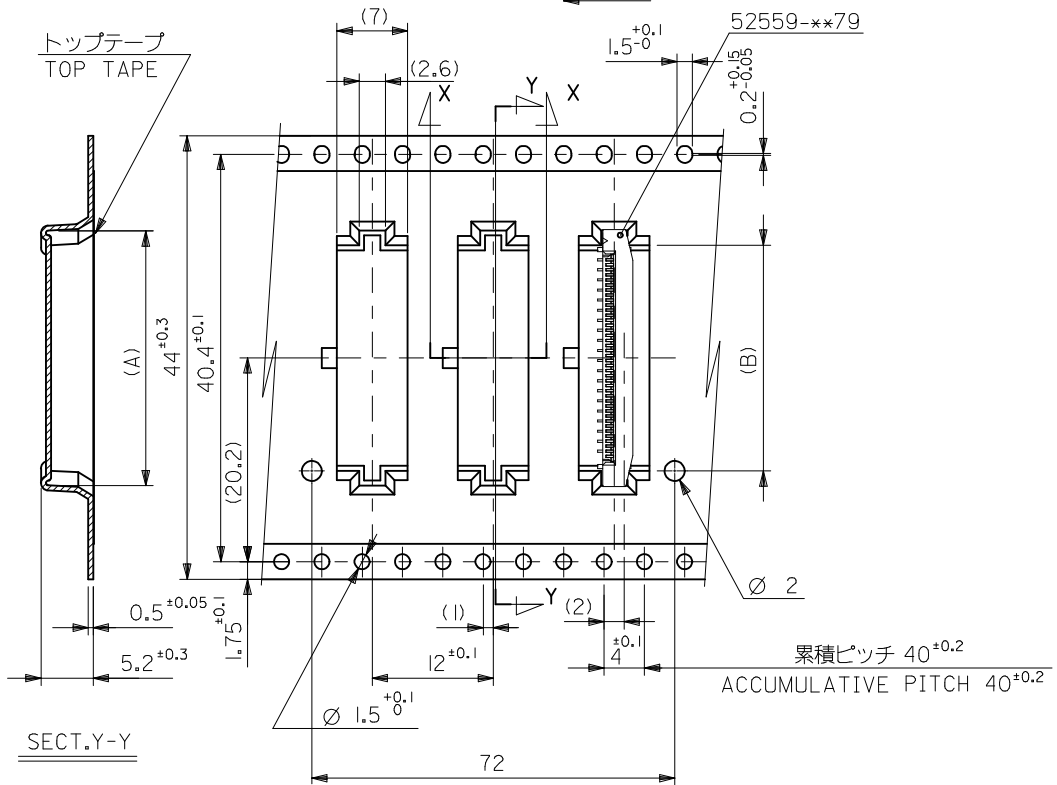


SECT.X-X

32	37.4	33.4	18.4	21.3	52559-3252	32
			17.4	20.3	52559-3052	30
			16.4	19.3	52559-2852	28
			15.9	18.8	52559-2752	27
			15.4	18.3	52559-2652	26
キャリアテープ幅 CARRIER TAPE WIDTH	D	C	(B)	(A)	MATERIAL NO.	CIRCUIT NO.

REVISED EC NO: J2016-0020 DRWN: YUHASEGAWA 2015/07/16 CHKD: APPR: YNOGAWA 2015/07/10 REV: K	GENERAL TOLERANCES (UNLESS SPECIFIED)			DIMENSION STYLE		SCALE	DESIGN UNITS		THIRD ANGLE PROJECTION	
	0.25 UNDER	UNDER	±0.03	MM ONLY		---	METRIC		☉	
	0.25 OVER	0.5 UNDER	±0.05	DRAWN BY		DATE	TITLE		0.5 FPC CONN ASSY ZIF FOR SMT EMBSTP PKG -LEAD FREE- molex SD-52559-049 SHEET NO. 3 OF 4	
	0.5 OVER	1.0 UNDER	±0.1	MNABEI		'04/07/13				
	1.0 OVER	10 UNDER	±0.2	CHECKED BY		DATE				
3.0 OVER	30 UNDER	±0.25	KTOJO		'04/07/13					
ANGULAR	±3 °		APPROVED BY		DATE					
			NUKITA		'04/07/13					
			MATERIAL NO.			DOCUMENT NO.				
	DRAFT WHERE APPLICABLE MUST REMAIN WITHIN DIMENSIONS			SIZE		THIS DRAWING CONTAINS INFORMATION THAT IS PROPRIETARY TO MOLEX INCORPORATED AND SHOULD NOT BE USED WITHOUT WRITTEN PERMISSION				
				A3						

引き出し方向 PULL OUT DIRECTION



44mm幅キャリアテープ
44mm WIDTH CARRIER TAPE

44	49.4	45.4	22.4	25.3	52559-4052	40
キャリアテープ幅 CARRIER TAPE WIDTH	D	C	(B)	(A)	52559-3652	36
					MATERIAL NO.	CIRCUIT NO.

REVISED EC NO: J2016-0020 DRWN: YUHASEGAWA 2015/07/06 CHKD: APPR: YNOGAWA 2015/07/10	GENERAL TOLERANCES (UNLESS SPECIFIED)		DIMENSION STYLE		SCALE	DESIGN UNITS	THIRD ANGLE PROJECTION
	0.25 UNDER UNDER ±0.03		MM ONLY		---	METRIC	☉
	0.25 OVER 0.5 UNDER ±0.05		DRAWN BY DATE		TITLE		
	0.5 OVER 1.0 UNDER ±0.1		MNABEI '04/07/13		0.5 FPC CONN ASSY ZIF FOR SMT EMBSTP PKG -LEAD FREE-		
1.0 OVER 10 UNDER ±0.2		CHECKED BY DATE		DOCUMENT NO.			SHEET NO.
10 OVER 30 UNDER ±0.25		KTOJO '04/07/13		SD-52559-049			4 OF 4
30 OVER ±0.3		APPROVED BY DATE		SEE CHART			
ANGULAR ±3 °		NUKITA '04/07/13		THIS DRAWING CONTAINS INFORMATION THAT IS PROPRIETARY TO MOLEX INCORPORATED AND SHOULD NOT BE USED WITHOUT WRITTEN PERMISSION			
DRAFT WHERE APPLICABLE MUST REMAIN WITHIN DIMENSIONS		MATERIAL NO.					
		SIZE					
		A3					