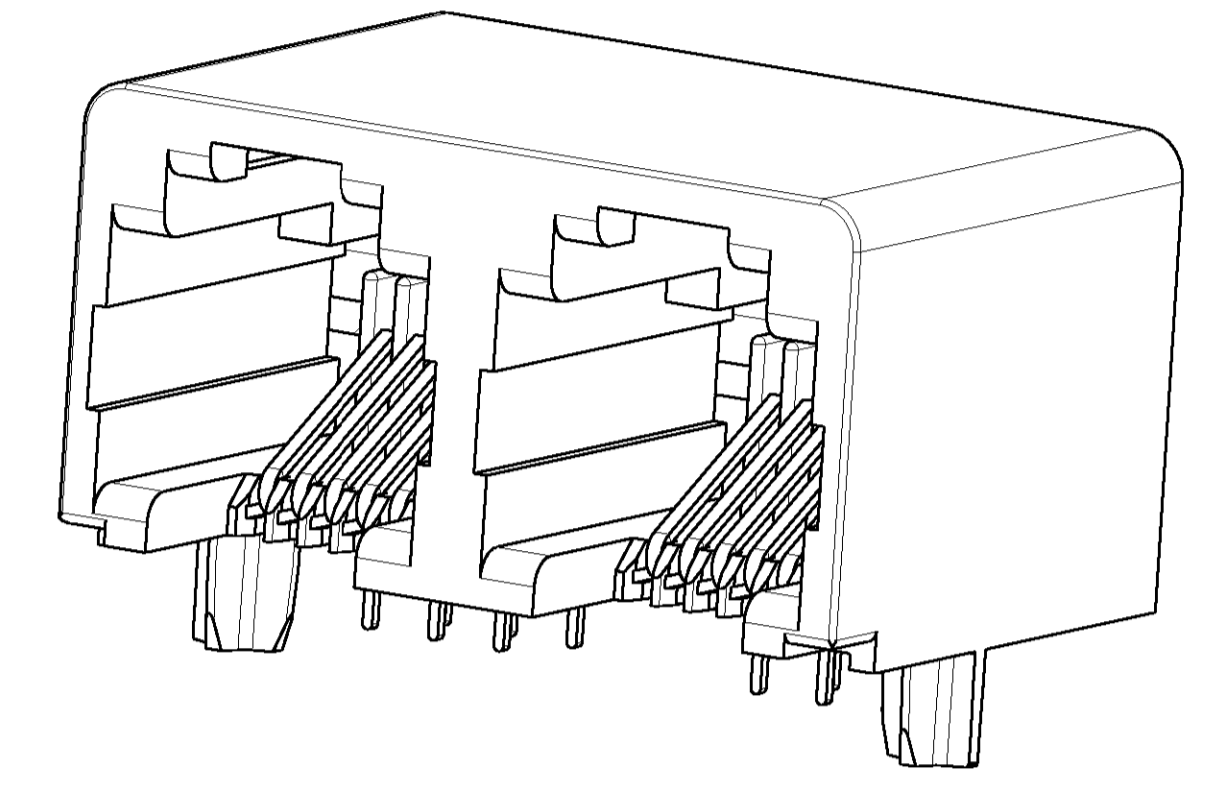
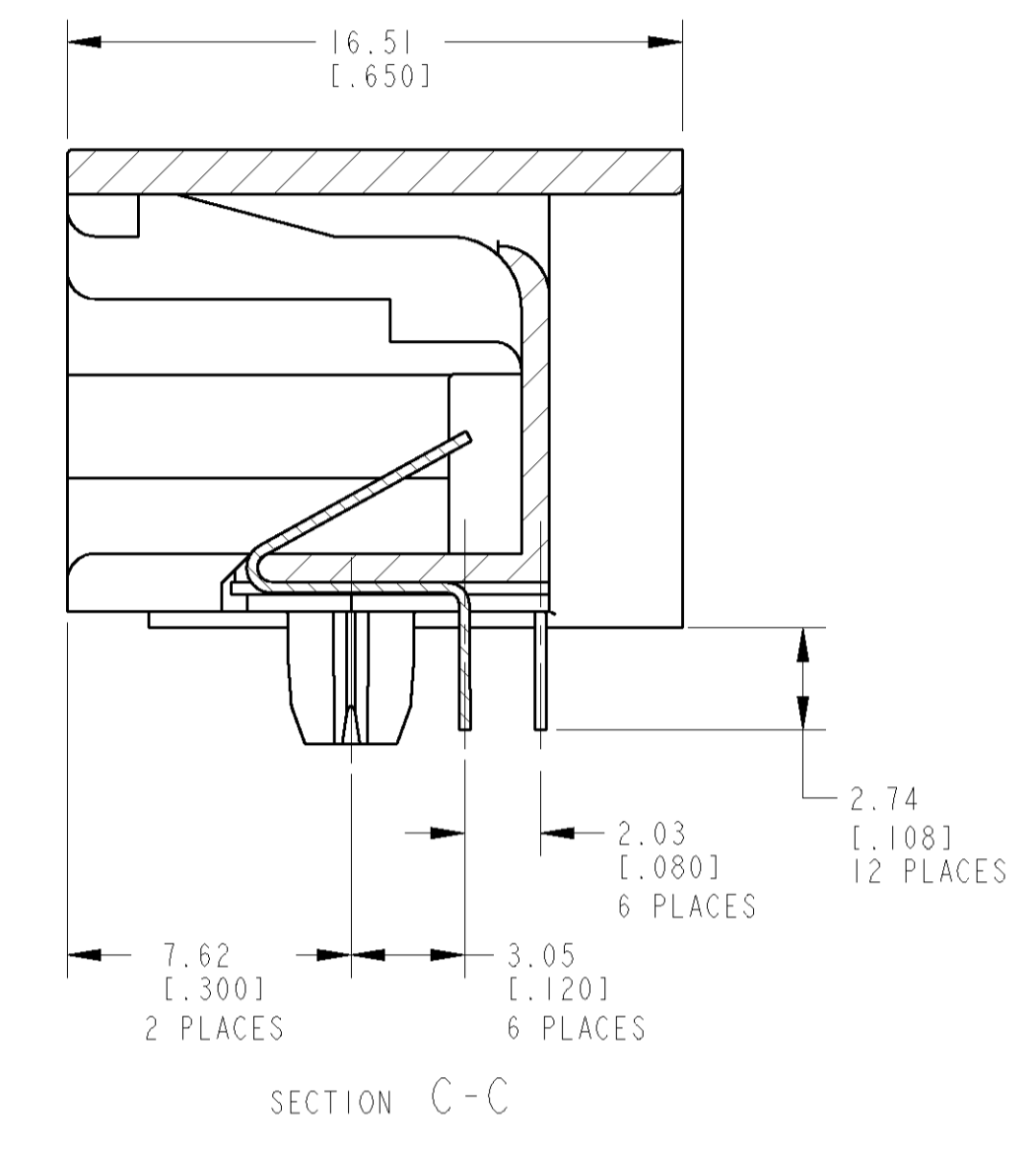
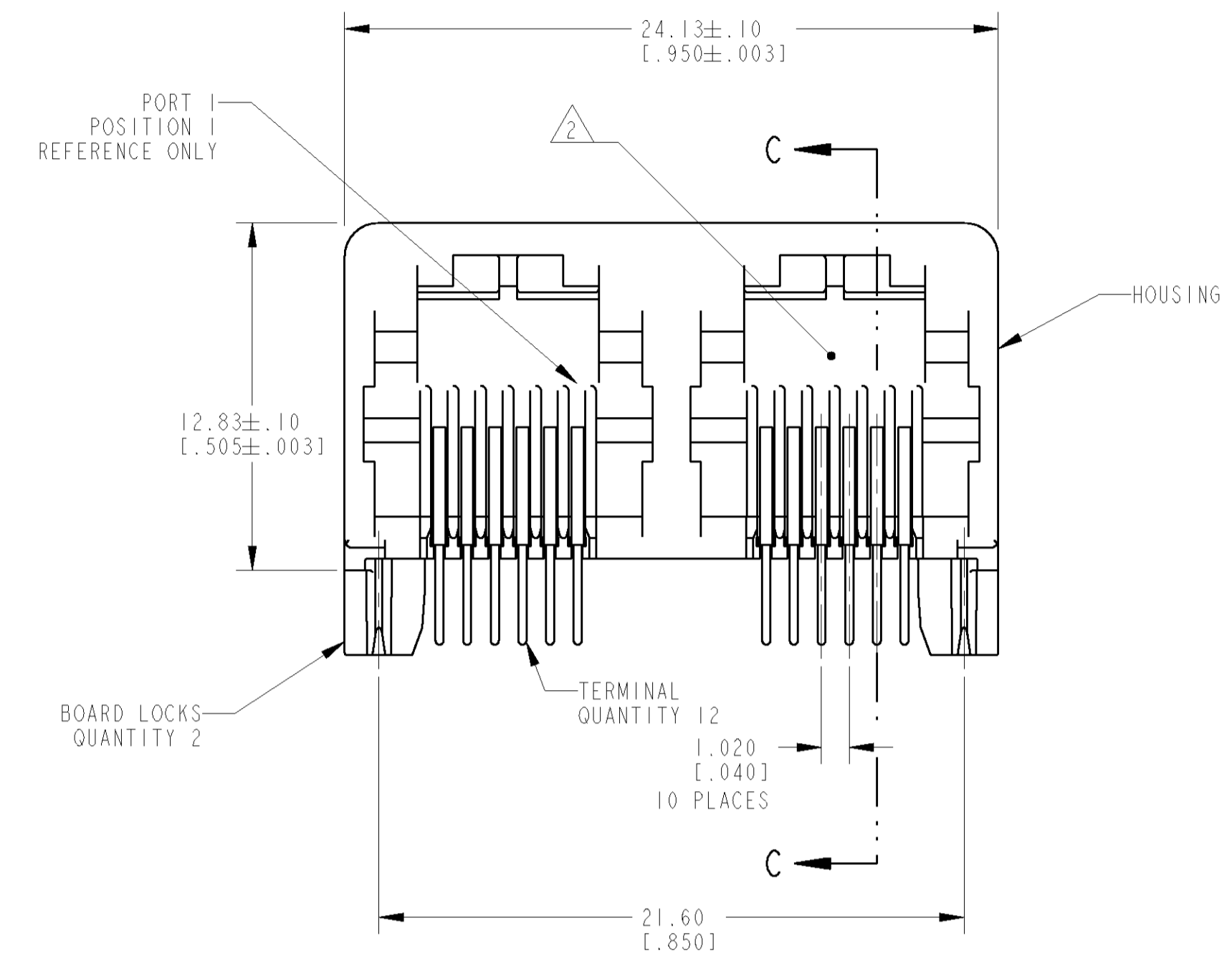
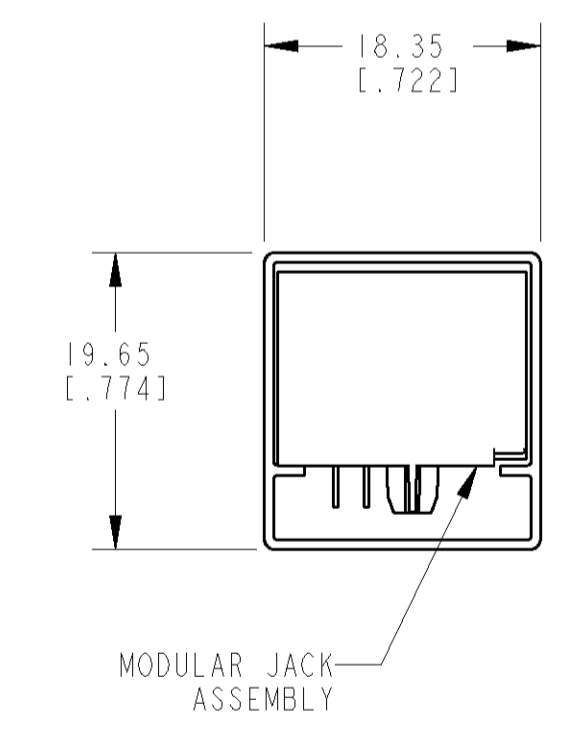
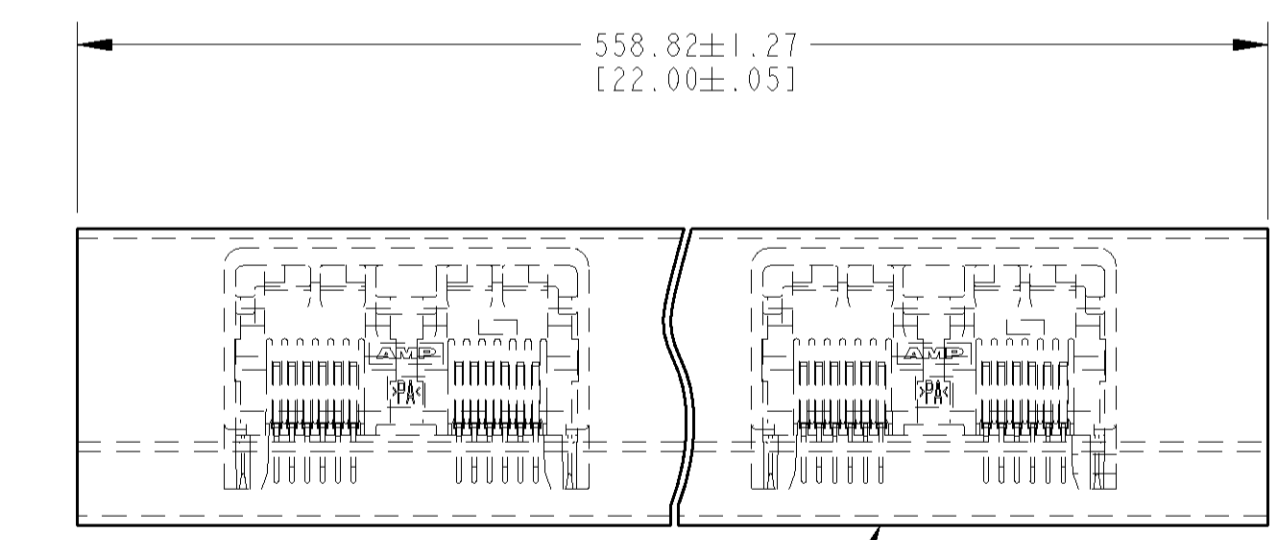
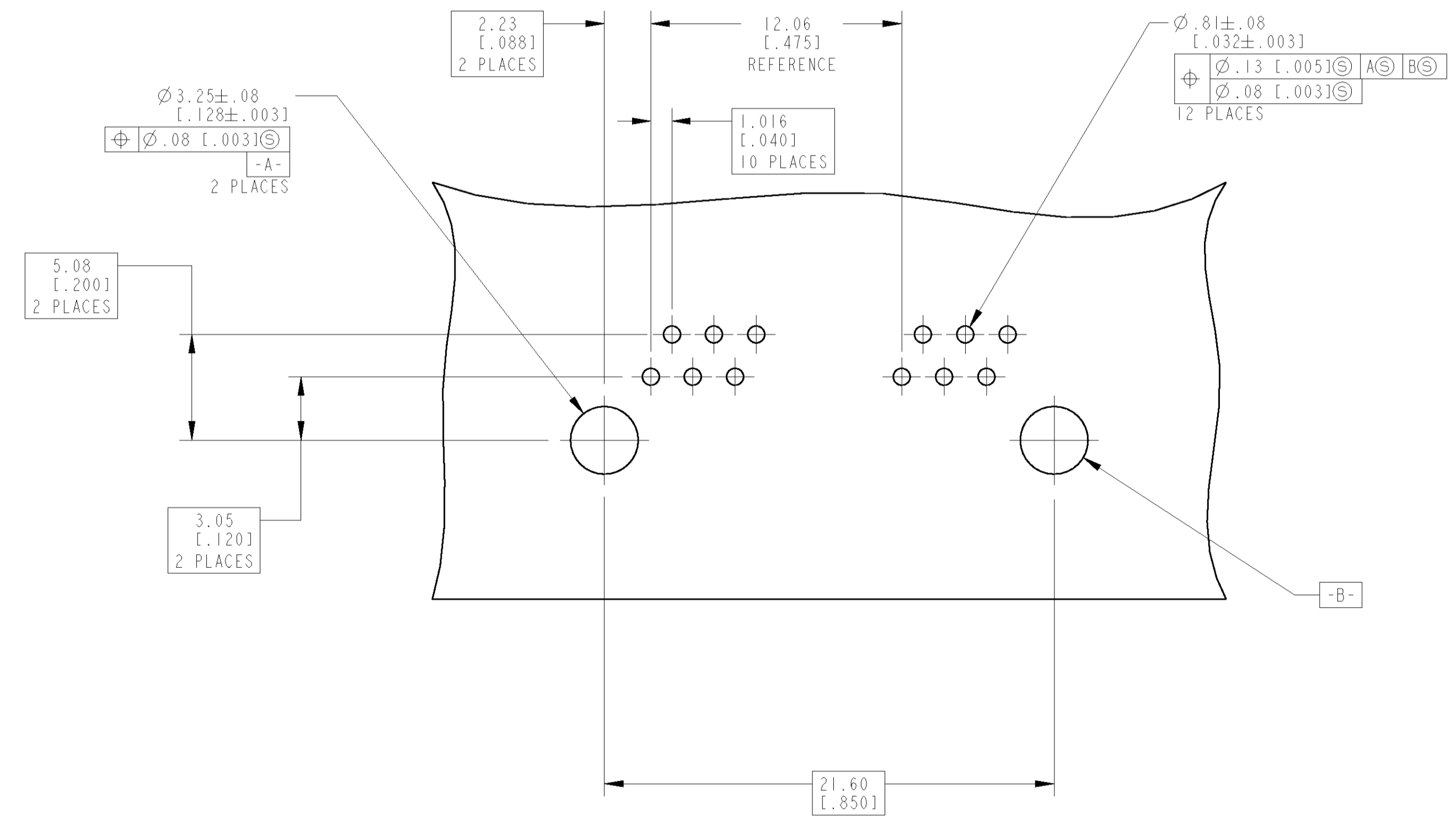


LOC	DIST	REVISIONS			
P	LTR	DESCRIPTION	DATE	DWN	APVD
AA	22	A	REV PER EC 0511-0201-04	28JUL2005	GA SF



- 1 MATERIAL: HOUSING-HIGH TEMPERATURE THERMOPLASTIC, BLACK. TERMINALS-0.3[.012] THICK COPPER ALLOY PLATED WITH 1.27um[.000050] MINIMUM THICK GOLD IN LOCALIZED GOLD PLATE AREA, 2.5um[.000100] MINIMUM MATTE TIN ON TERMINATION END, BOTH OVER 1.27um[.000050] MINIMUM NICKEL OVER ENTIRE TERMINAL.
- 2 JACK CAVITY CONFORMS TO FCC RULES AND REGULATIONS, PART 68 SUBPART F.
- 3 PACKAGING-MATERIAL: ANTI-STATIC, RIGID EXTRUDED, TRANSPARENT PLASTIC TUBE. 22 PIECES PER TUBE. SEE DETAIL D.



DETAIL D
SCALE 2:1

RECOMMENDED PRINTED
 CIRCUIT BOARD LAYOUT
 COMPONENT SIDE-VIEWED FROM TOP
 THICKNESS 1.57[.062]

3	5406542-1
PACKAGING	PART NUMBER

<small>THIS DRAWING IS UNPUBLISHED. RELEASED FOR PUBLICATION. THE INFORMATION IS PROVIDED AS IS WITHOUT WARRANTY OF ANY KIND. THE USER ASSUMES ALL LIABILITY FOR THE USE OF THIS INFORMATION.</small>		DWN: 28 JUL 2005 G.S. ATTADIA - 00645 28 JUL 2005 ENY: J. WESTMAN S. FLICKINGER 28 JUL 2005 APVD: S. FLICKINGER	AMP Incorporated Harrisburg, PA 17105-3608 tyco Electronics
DIMENSIONS: mm [INCHES] 0 PLC ± 1 PLC ± 2 PLC ± 3 PLC ± 4 PLC ± ANGLES ±	TOLERANCES UNLESS OTHERWISE SPECIFIED: 0 PLC ± 1 PLC ± 2 PLC ±0.13[.005] 3 PLC ± 4 PLC ± ANGLES ±	PRODUCT SPEC: 108-1689 APPLICATION SPEC: 114-2048 WEIGHT: 2.54 grams CUSTOMER DRAWING	NAME: MODULAR JACK ASSEMBLY, 2 PORT, 6/6, RIGHT ANGLE, THRU HOLE, RJ-11 SIZE: 00779 CAGE CODE: 5406542 RESTRICTED TO: - SCALE: 5:1 SHEET 1 OF 1 REV A