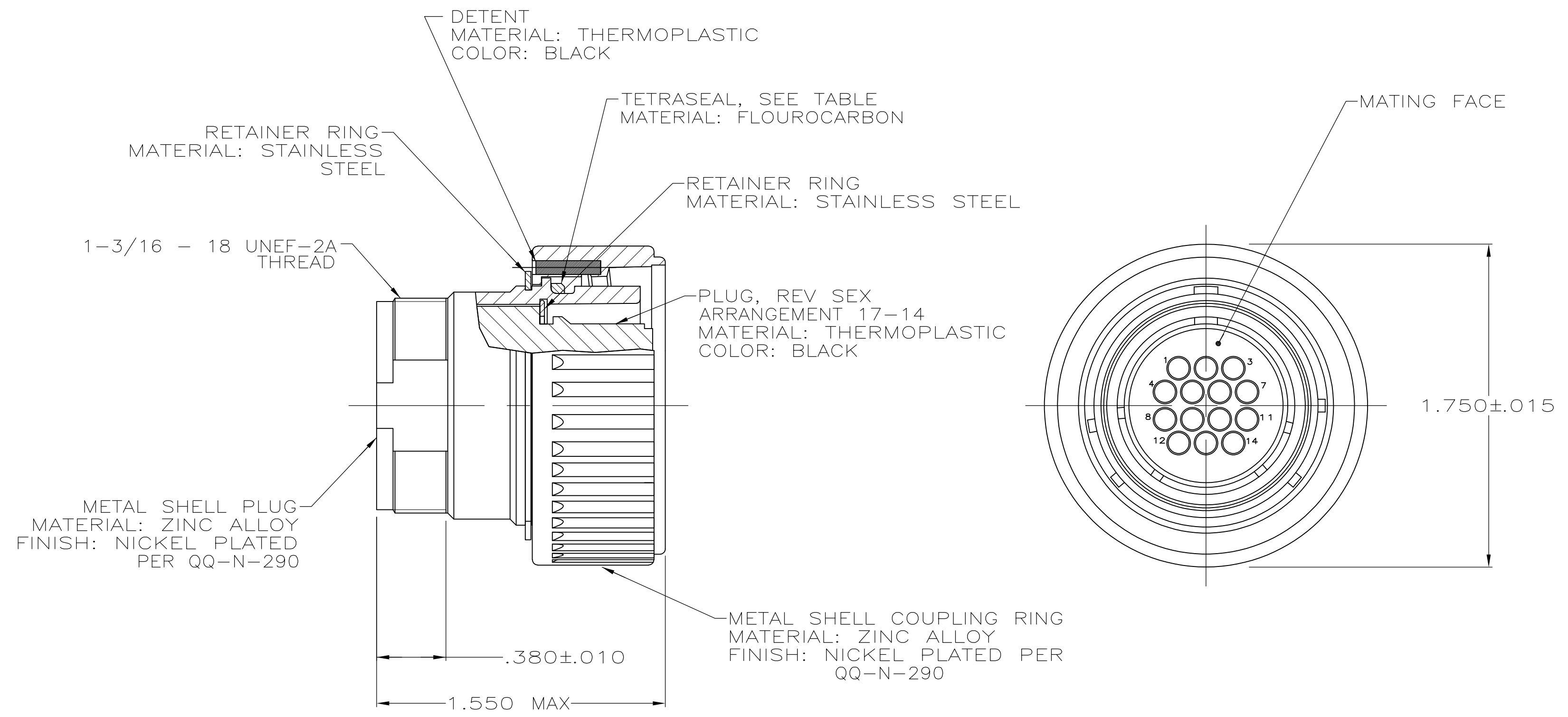
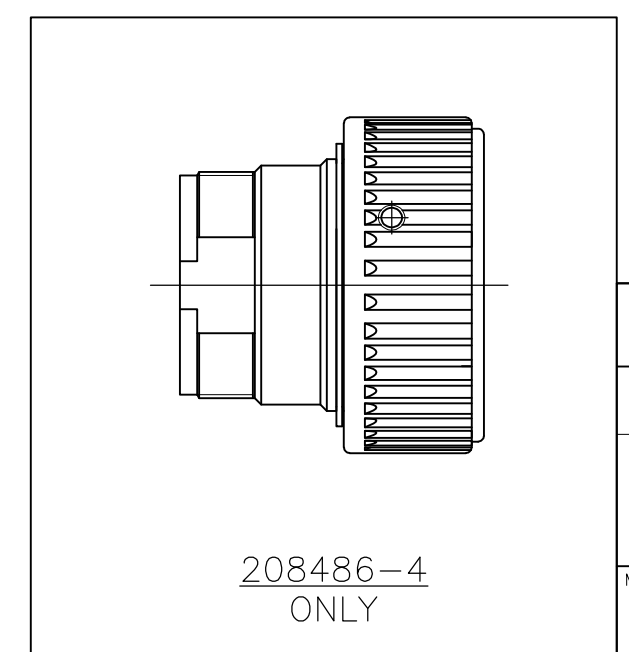


THIS DRAWING IS UNPUBLISHED. RELEASED FOR PUBLICATION
 © COPYRIGHT - By - ALL RIGHTS RESERVED.

| LOC | | DIST | | REVISIONS | | | |
|-----|-----|-------------|--|---------------------------|---------|--------|--|
| P | LTR | DESCRIPTION | | DATE | DWN | APVD | |
| | | P1 | | REVISED PER ECO-11-004917 | 11MAR11 | RK HMR | |



1. THIS PLUG ACCEPTS FOURTEEN (14) MULTIMATE PIN CONTACTS. MAXIMUM WIRE INSULATION DIAMETER = .105.
2. AMP PART NUMBER AND DATE CODE TO BE LOCATED ON COUPLING RING.



| | | |
|---------------------------|-----------|-------------|
| YES | YES | 208486-4 |
| NO | YES | 208486-3 |
| NO | NO | 208486-1 |
| SECONDARY LOCKING FEATURE | TETRASEAL | PART NUMBER |

| | | | | |
|--|--|---------------------------|--|---------------|
| THIS DRAWING IS A CONTROLLED DOCUMENT. | | DWN 6-27-91 R.LEE BG | TE TE Connectivity | |
| DIMENSIONS: INCHES | | CHK 4-20-92 W.G.LENKER | | |
| TOLERANCES UNLESS OTHERWISE SPECIFIED: | | APVD - | NAME | |
| 0 PLC ± - | | PRODUCT SPEC | PLUG ASSEMBLY, REV SEX, SERIES 1, 22-14, CMC | |
| 1 PLC ± - | | 108-10040 | - | |
| 2 PLC ± - | | APPLICATION SPEC | - | |
| 3 PLC ± - | | - | SIZE | CAGE CODE |
| 4 PLC ± - | | WEIGHT - | A2 | 00779 |
| ANGLES ± - | | CUSTOMER DRAWING | DRAWING NO | RESTRICTED TO |
| FINISH SEE CALLOUT | | SCALE 2:1 | C=208486 | - |
| MATERIAL SEE CALLOUT | | SHEET 1 of 1 | REV P1 | |