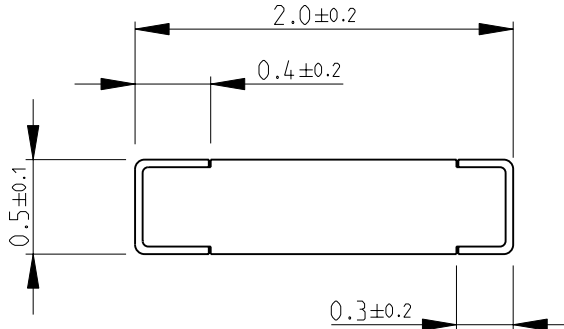
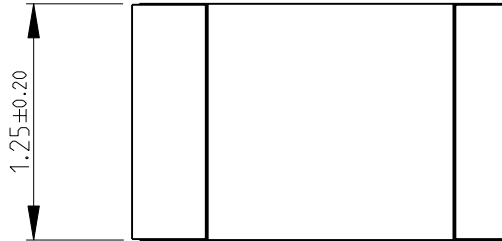
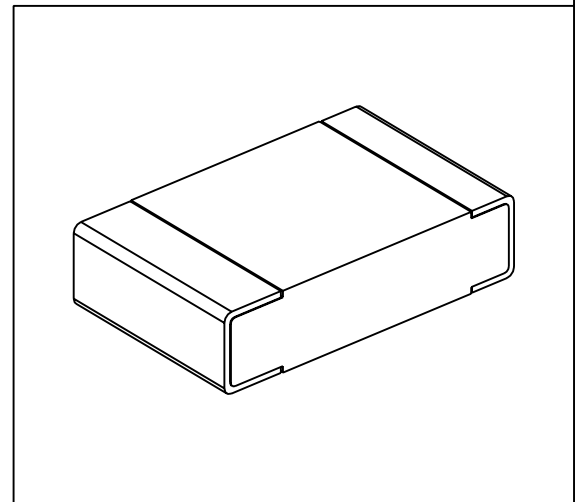


LOC	DIST	REVISIONS					
E	B	P	LTR	DESCRIPTION	DATE	DWN	APVD
			BA	NEW RELEASE	24-Sep-08	SM	St.P

FOR FURTHER INFORMATION SEE DATA SHEET FOR
CPF SERIES-THIN FILM PRECISION CHIP RESISTORS



RoHS Compliant



2008

RELEASED FOR PUBLICATION

THIS DRAWING IS UNPUBLISHED.

BY TYCO ELECTRONICS CORPORATION. ALL RIGHTS RESERVED.



DIMENSIONS: mm	DWN	SUBHASH.M	24-Sep-08	MATERIAL	-	FINISH	-	
	CHK	PRAKASH.S	24-Sep-08	Tyco Electronics Corporation Dorcan, Swindon, SN3 5HH				
TOLERANCES UNLESS OTHERWISE SPECIFIED:	APVD	STEPHEN.P	24-Sep-08					
0 PLC ±0.2	PRODUCT SPEC	-	NAME THIN FILM PRECISION CHIP RESISTORS					
1 PLC ±0.1	APPLICATION SPEC	-	SERIES CPF 0805					
2 PLC ±-	WEIGHT	-	SIZE	CAGE CODE	DRAWING NO	RESTRICTED TO		
3 PLC ±-			A 4	00779	© = 1614937	-		
4 PLC ±-			CUSTOMER DRAWING				SCALE	25:1
ANGLES ±5°							SHEET	1 OF 1
							REV	BA