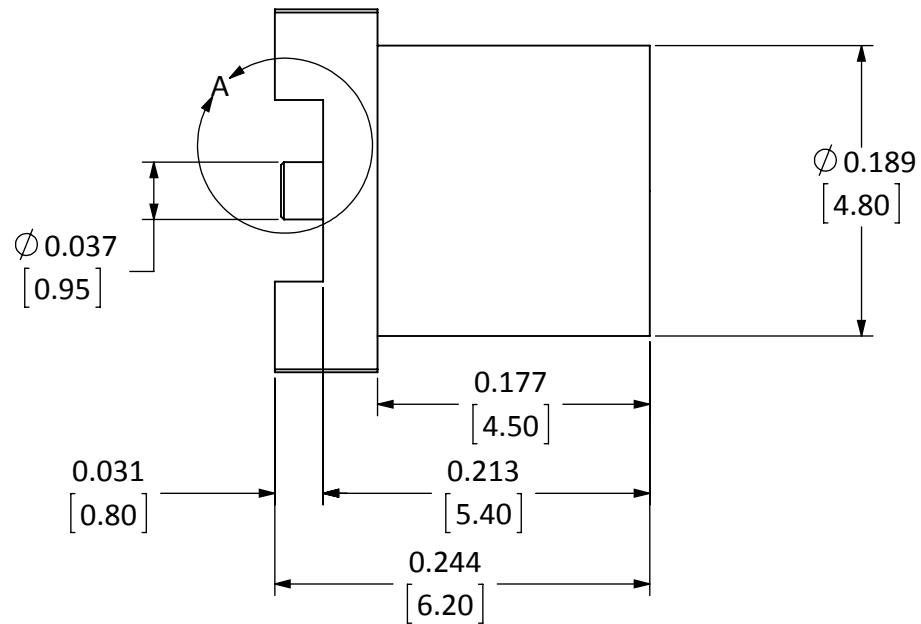
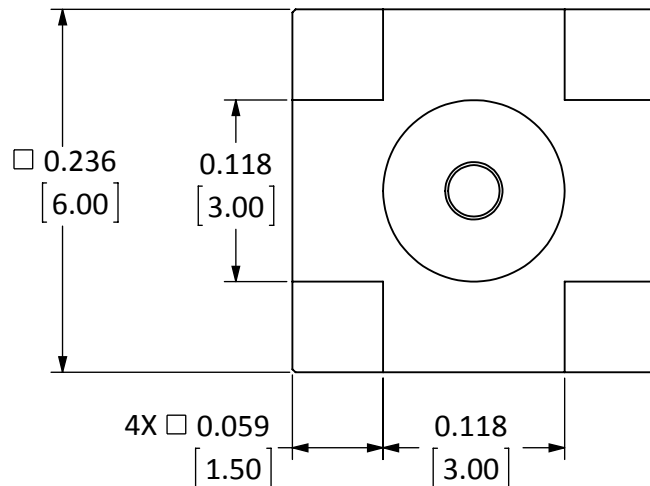


DESCRIPTION	MATERIAL	FINISH
BODY	BRASS	GOLD
SOCKET	Be Cu	GOLD
INSULATION	PTFE	N/A

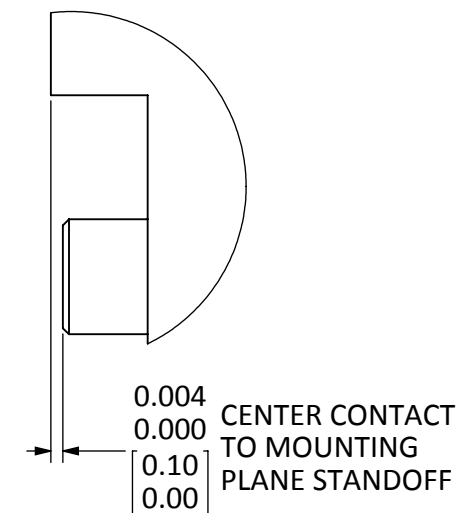
REVISIONS			
REV	DESCRIPTION	DATE	APPV
B	Updated footprint and dimensions; Added new title block	11-JUL-12	SAH
C	UPDATED SHEET SIZE AND DMENSIONS; ADDED DETAIL VIEW	3-JUL-18	CLL



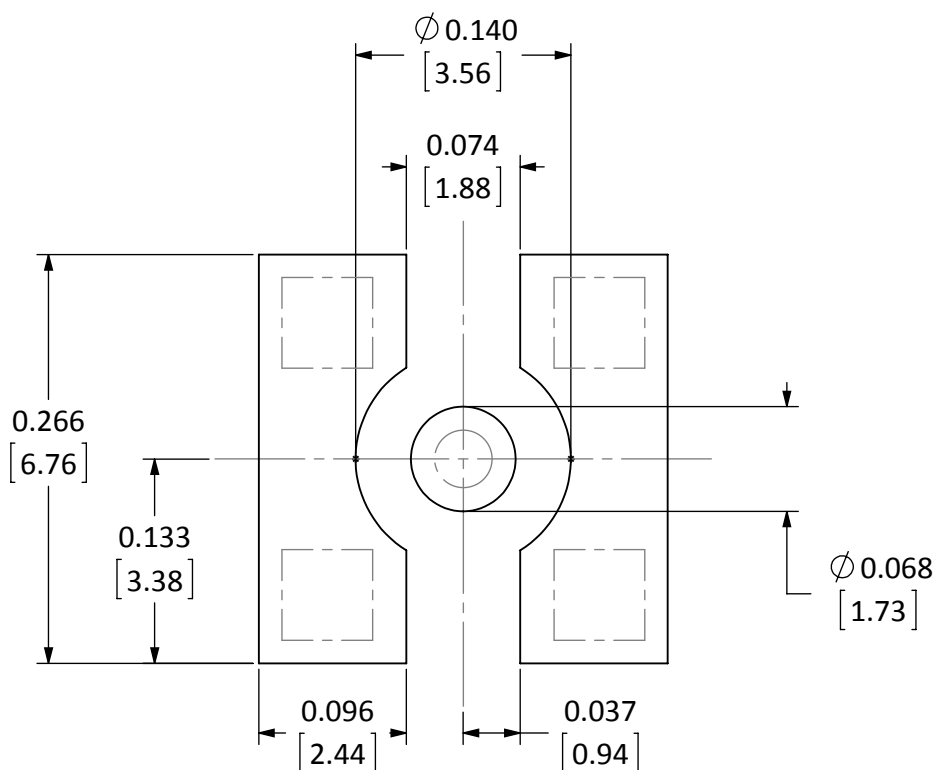
SIDE VIEW



BACK VIEW



DETAIL A  
SCALE 16 : 1



RECOMMENDED FOOTPRINT

- NOTES: (UNLESS OTHERWISE SPECIFIED)
1. ALL DIMENSIONS ARE IN INCHES [mm].
  2. DIMENSIONS APPLY AFTER FINISHING.
  3. MANUFACTURE TO BE COMPLIANT WITH EU RoHS DIRECTIVE, USE MATERIALS THAT DO NOT CONTAIN REACH SUBSTANCES OF VERY HIGH CONCERN >1000ppm, AND USE DRC CONFLICT-FREE SOURCED MATERIALS.
  4. SAFETY BREAK ALL SHARP CORNERS AND EDGES .02 MAXIMUM.

**WARNING:** THIS DRAWING CONTAINS PROPRIETARY INFORMATION THAT IS THE SOLE PROPERTY OF LINX TECHNOLOGIES, AND SHALL BE TREATED AS SUCH. NO DISCLOSURE OR REPRODUCTION OF THIS DOCUMENT IS PERMITTED, IN WHOLE OR IN PART, WITHOUT THE EXPRESS WRITTEN PERMISSION OF LINX TECHNOLOGIES OR ITS DESIGNATED AGENTS.

**Linx** 159 ORT LANE  
MERLIN, OR 97532

TITLE:  
**MCX FEMALE PCB MOUNT  
SURFACE MOUNT**

MATERIAL:	TOLERANCES: .020 [0.50]-.200 [5.00]=±.008 [0.20] .200 [5.00]-1.200 [30.00]=±.016 [0.40] 1.20 [30.0]-4.75 [120.0]=±.024 [0.60] 4.75 [120.0]-12.40 [315.0]=±.040 [1.0]	PROJECTION: 
FINISH:	DRAWN: B.MURPHY DT: 11-JUL-12 ENGR: S.HOGAN DT: 11-JUL-12	ANGLES: ±1°

SIZE	DWG. NO.	REV
<b>B</b>	CONMCX001-SMD	<b>C</b>
SCALE: 8:1	DO NOT SCALE DRAWING	SHEET 1 OF 1