

General Specifications

Motor Protection:

Auto Restart/Polarity Protection

Insulation Resistance:

10M Ω or over with a DC500V Megger

Dielectric Withstand Voltage: AC 700V 1s

Allowable Ambient Temperature Range:

-10°C ~ +70°C (Operating)

-40°C ~ +70°C (Storage)

IP Code: IP69K

Expected Life

25°C 100,000 Hours (L10)

Material

Casing : Plastic (Black) UL94V-0

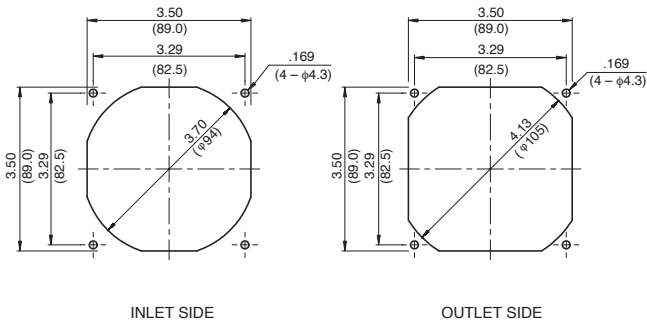
Impeller : Plastic (Black) UL94V-0

Bearing : Ball Bearing

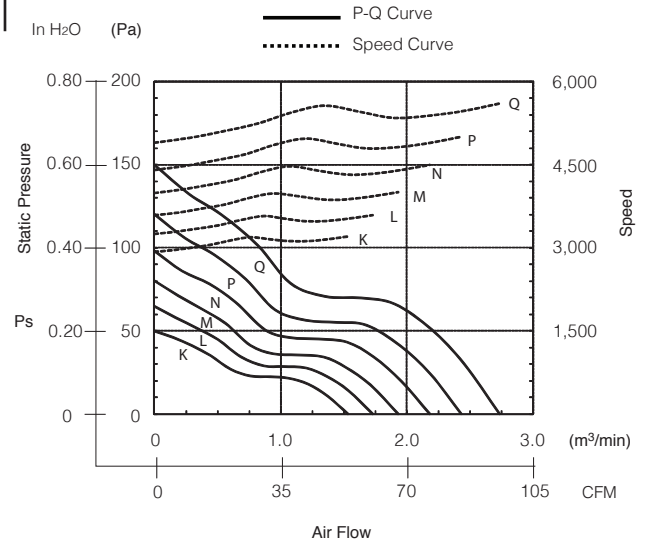
Lead Wire : UL3385, AWG26, +Red, -Black

Panel Cut-Outs

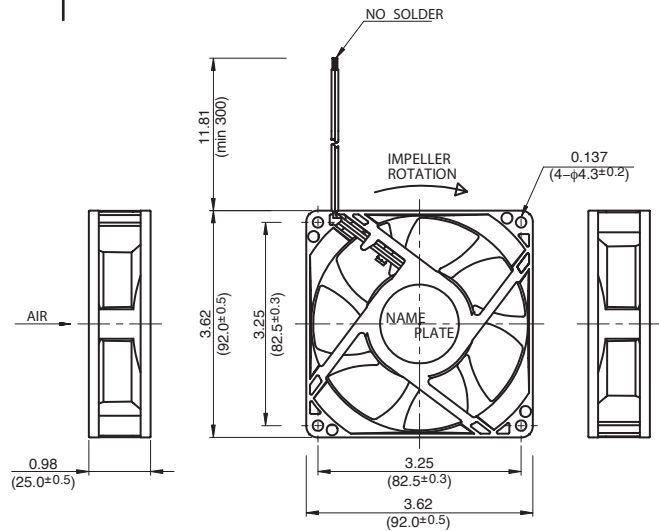
Units: $\frac{\text{inch}}{\text{mm}}$



Characteristic Curves



Outline



Specifications

MODEL	Rated Voltage	Operating Voltage	Current	Input Power	Speed	Max. Air Flow		Max. Static Pressure		Noise	Mass
	(V)	(V)	(A) ^{*1}	(W) ^{*1}	(min ⁻¹) ^{*1}	CFM ^{*1}	(m ³ /min) ^{*1}	in H ₂ O	(Pa) ^{*1}	(dB) ^{*1}	(g)
09225VA-12K-CA-00	12	7.0 ~ 13.8	0.18	2.16	3200	54.03	1.53	.20	50.0	35.5	150
09225VA-12L-CA-00	12	7.0 ~ 13.8	0.24	2.88	3600	61.09	1.73	.26	65.0	38.5	150
09225VA-12M-CA-00	12	7.0 ~ 13.8	0.30	3.60	4000	68.16	1.93	.32	80.0	42.0	150
09225VA-12N-CA-00	12	7.0 ~ 13.8	0.40	4.80	4500	76.99	2.18	.39	98.0	45.0	150
09225VA-12P-CA-00	12	7.0 ~ 13.8	0.52	6.24	5000	85.81	2.43	.48	120.0	48.0	150
09225VA-12Q-CA-00	12	7.0 ~ 13.8	0.72	8.64	5600	96.41	2.73	.60	150.0	51.0	150

Rotation: Clockwise

Airflow Outlet: Air Out Over Struts

*1: Average Values in Free Air

Note: PWM/Locked Rotor/Tach Available

Specifications

MODEL	Rated Voltage	Operating Voltage	Current	Input Power	Speed	Max. Air Flow		Max. Static Pressure		Noise	Mass
	(V)	(V)	(A) ^{*1}	(W) ^{*1}	(min ⁻¹) ^{*1}	CFM ^{*1}	(m ³ /min) ^{*1}	in H ₂ O	(Pa) ^{*1}	(dB) ^{*1}	(g)
09225VA-24K-CA-00	24	14.0 ~ 27.6	0.11	2.64	3200	54.03	1.53	.20	50.0	35.5	150
09225VA-24L-CA-00	24	14.0 ~ 27.6	0.14	3.36	3600	61.09	1.73	.26	65.0	38.5	150
09225VA-24M-CA-00	24	14.0 ~ 27.6	0.17	4.08	4000	68.16	1.93	.32	80.0	42.0	150
09225VA-24N-CA-00	24	14.0 ~ 27.6	0.22	5.28	4500	76.99	2.18	.39	98.0	45.0	150
09225VA-24P-CA-00	24	14.0 ~ 27.6	0.28	6.72	5000	85.81	2.43	.48	120.0	48.0	150
09225VA-24Q-CA-00	24	14.0 ~ 27.6	0.38	9.12	5600	96.41	2.73	.60	150.0	51.0	150

Rotation: Clockwise

Airflow Outlet: Air Out Over Struts

*1: Average Values in Free Air

Note: PWM/Locked Rotor/Tach Available