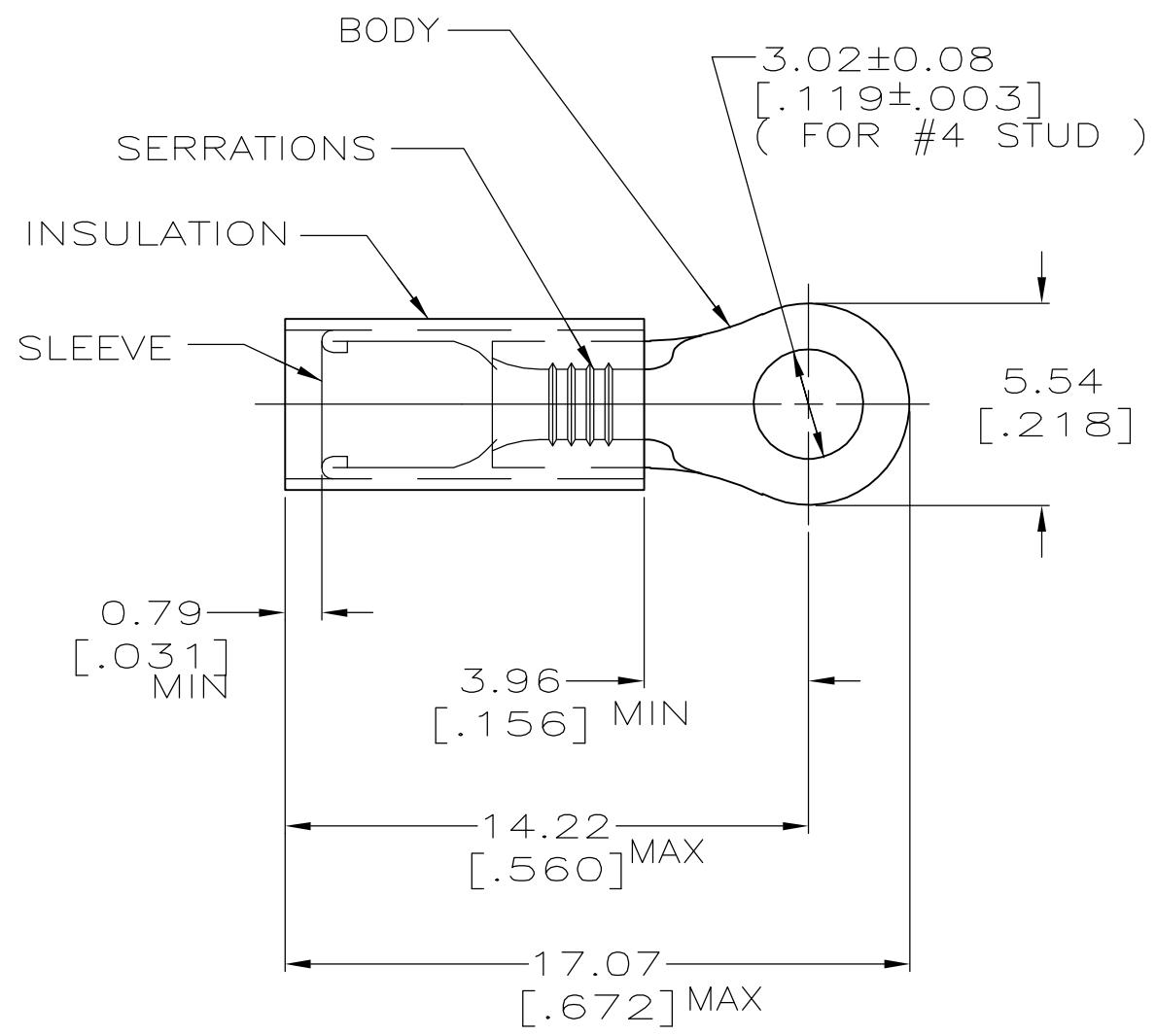


THIS DRAWING IS UNPUBLISHED. RELEASED FOR PUBLICATION
 © COPYRIGHT BY TYCO ELECTRONICS CORPORATION. ALL RIGHTS RESERVED.

LOC	DIST	REVISIONS			
P	LTR	DESCRIPTION	DATE	DWN	APVD
G	14				
		K2	REV PER ECR 05-013140	20OCT05	JR TM

AMP
WIRE RANGE

18-16 AWG
STRANDED ONLY



- 1 STAMP " AMP 18-16"
- 2 FOR 1.40 TO 3.43 [.055 TO .135] WIRE INSULATION DIA.
- 3 TONGUE MATERIAL THK: 0.79±0.05 [.031±.002]
- △4 BODY: MATERIAL: COPPER ASTM B152
FINISH: NICKEL PL. (QQ-N-290)
0.0076 [.0003] AVG EXT THK.
- △5 SLEEVE: MATERIAL: COPPER ASTM B152
FINISH: NICKEL PL. (QQ-N-290)
0.0076 [.0003] AVG EXT THK.
- △6 INSULATION: MATERIAL: TEFLON (ASTM D3295)
COLOR: ORANGE
- △7 PRELIMINARY - NOT FOR PRODUCTION

5000	ON TAPE	△7 50834-1
1000	LOOSE PIECE	50834
QTY	PACKAGE TYPE	PART NO.

AMP INCORPORATED
CUSTOMER SERVICE SYSTEMS

FOR ADDITIONAL PRODUCT INFORMATION OR COPIES OF DRAWINGS AND TECHNICAL DOCUMENTS
 PRODUCT INFORMATION CENTER
 1-800-522-6752

FOR APPLICATION TOOLING INFORMATION
 TOOLING ASSISTANCE CENTER
 1-800-722-1111

FOR ORDER ENTRY
 1-800-526-5142

MAX RECOMMENDED OPERATING TEMPERATURE:
288°C [550° F]

VOLTAGE RATING:
300V MAX

CIRCULAR MIL AREA:
0.81-1.42mm² [1600-2800]
STRANDED WIRE ONLY

THIS DRAWING IS A CONTROLLED DOCUMENT.

DIMENSIONS: MM [INCHES]

TOLERANCES UNLESS OTHERWISE SPECIFIED:

0 PLC	± -
1 PLC	± -
2 PLC	± 0.20 [.008]
3 PLC	± -
4 PLC	± -
ANGLES	± -

MATERIAL: △4 △5 △6

FINISH: △4 △5 △6

DWN JR RUTH 05JAN99

CHK RE HERSEY 05JAN99

APVD T MICHIELUTTI 05JAN99

PRODUCT SPEC -

APPLICATION SPEC -

WEIGHT -

tyco Tyco Electronics Corporation
Electronics Harrisburg, PA 17105-3608

NAME: TERMINAL, PIDG , STRATO-THERM, RING TONGUE, WIRE SIZE: 18-16

SIZE: A3 CAGE CODE: 00779 DRAWING NO: C=50834 RESTRICTED TO: -

CUSTOMER DRAWING SCALE: 5:1 SHEET: 1 OF 1 REV: K2