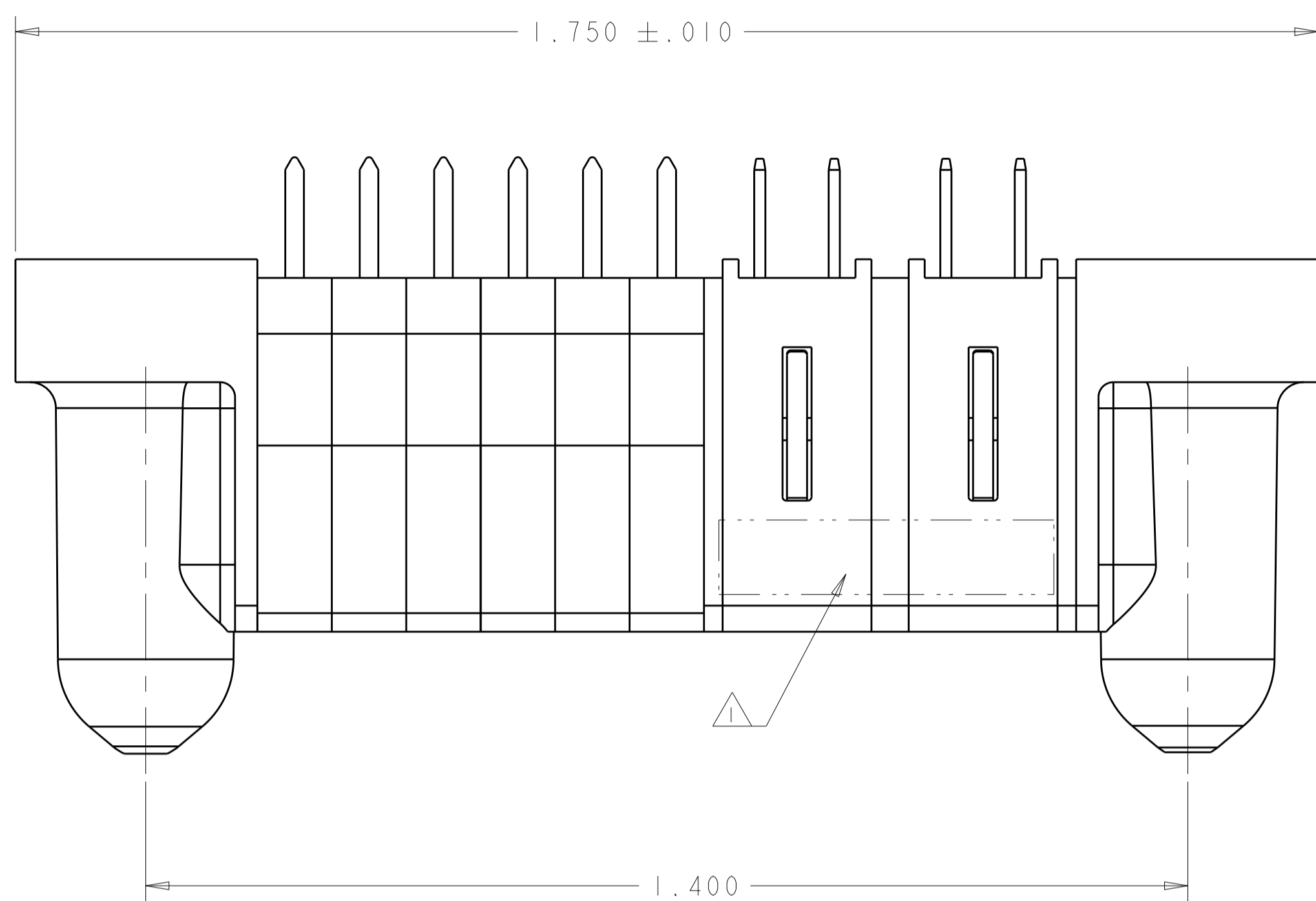
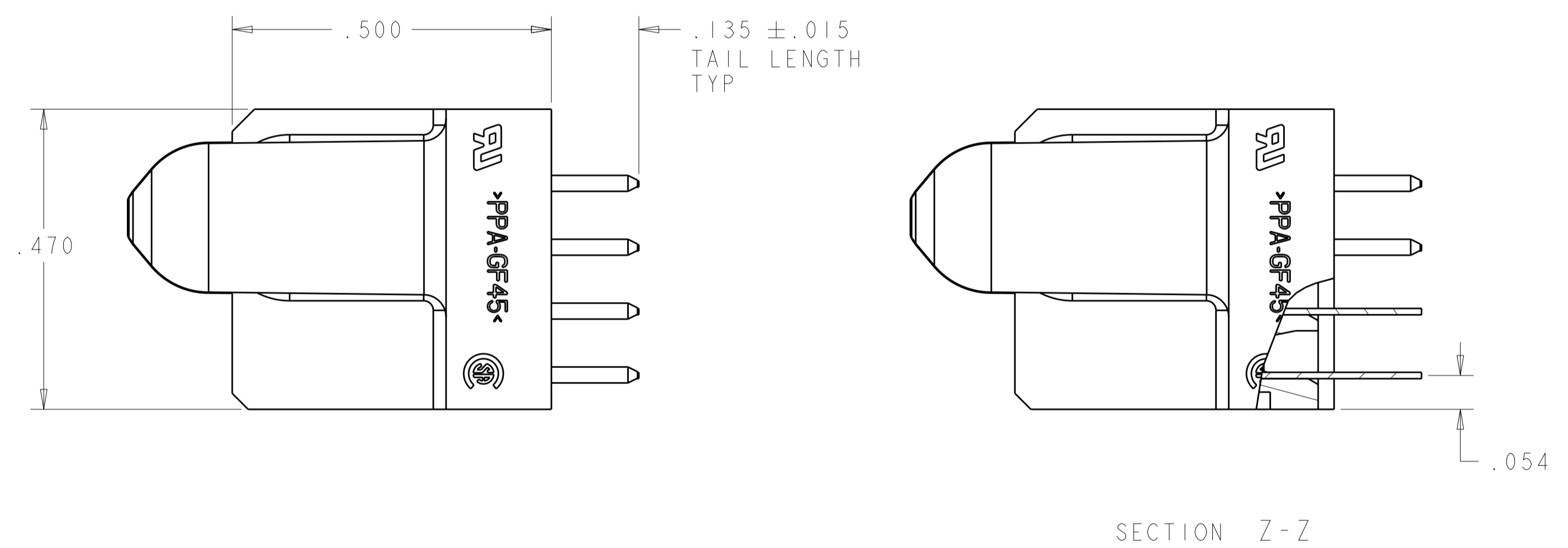
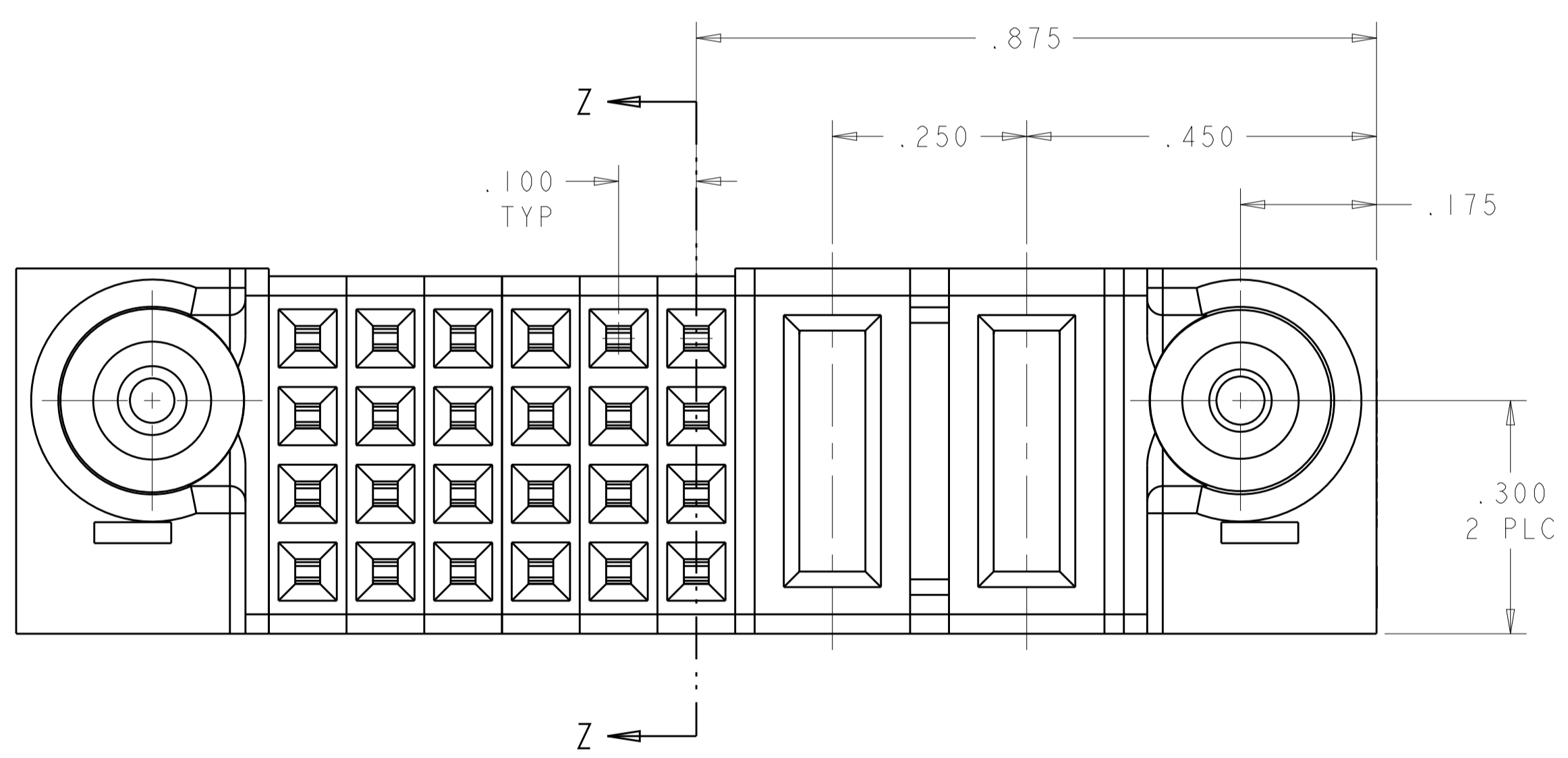


LOC		DIST		REVISIONS			
ES	00	P	LTN	DESCRIPTION	DATE	DWN	APVD
		A		REV PER ECR-08-016632	02JUL2008	TY	SY



- 1 "AMP", PART NUMBER, AND DATE CODE TO BE MARKED IN AREA SHOWN.
- 2 MATERIAL: HOUSING - GLASS FILLED HIGH TEMP THERMO PLASTIC, UL94 V-0  
 SIGNAL CONTACT - HIGH CONDUCTIVITY COPPER ALLOY  
 POWER CONTACT - HIGH CONDUCTIVITY COPPER ALLOY
- 3 CONTACT PLATING: NOBLE METAL PLATING ON CONTACT FUNCTIONAL AREA OF POWER AND SIGNAL CONTACTS
- 4 MECHANICAL CONNECTOR KEEP OUT ZONE.
- 5 DATUM AND BASIC DIMENSIONS ESTABLISHED BY CUSTOMER.
- 6 PCB - ALL HOLE DIAMETERS ARE FINISHED HOLE SIZES.
- 7 PCB - .0453 +/- .0010 DRILLED HOLES PLATES WITH .0003 MIN Sn OVER .001 TO .003 PLATING TO ACHIEVE A .040 DIA. HOLE.

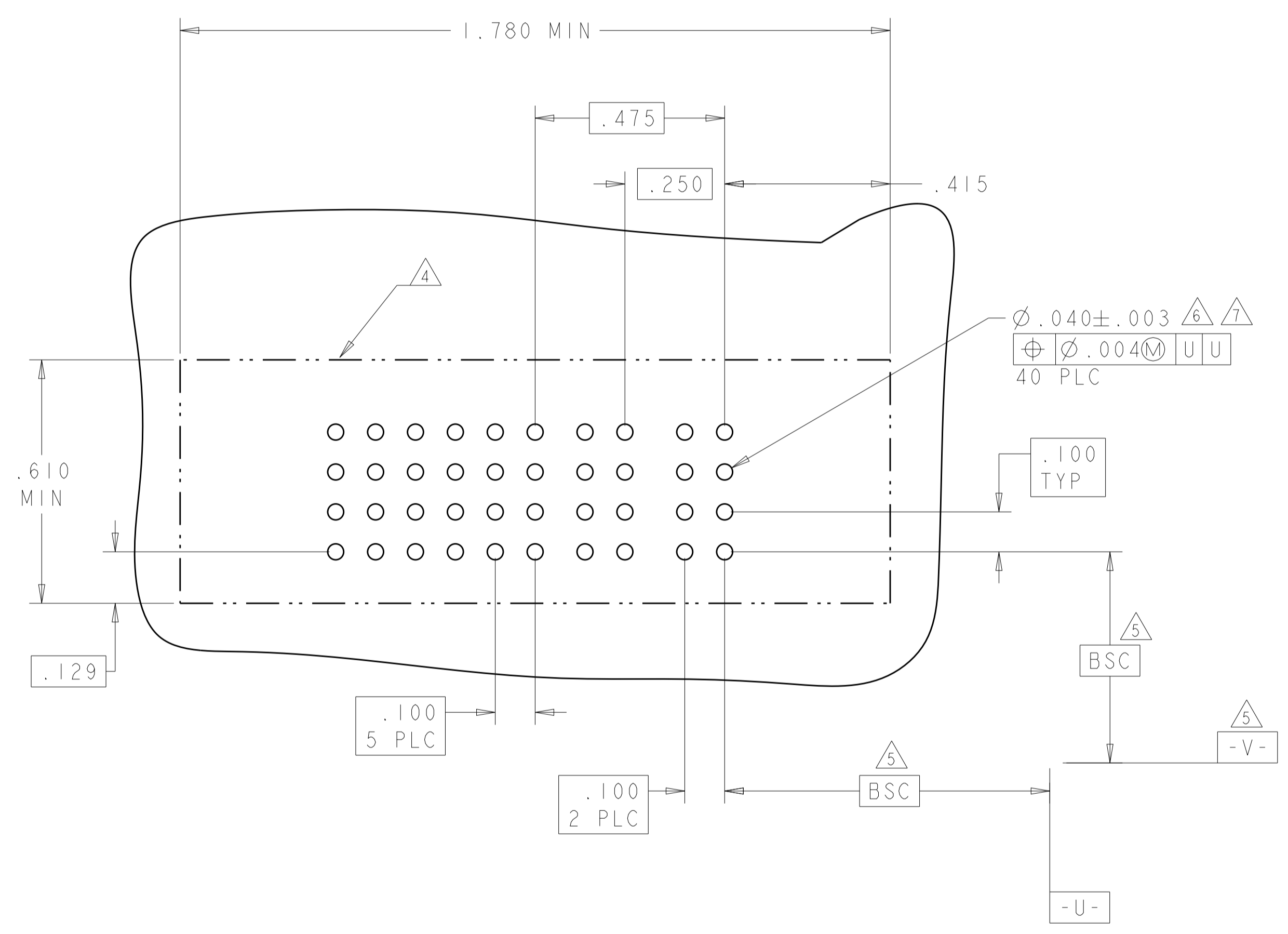


2P + 24S	6450352-1
DESCRIPTION	PART NUMBER

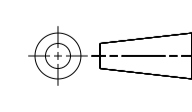
<small>THIS DRAWING IS UNPUBLISHED. IT IS THE PROPERTY OF TYCO ELECTRONICS CORPORATION. IT IS TO BE USED ONLY FOR THE PURPOSES AND IN THE QUANTITIES SPECIFIED IN THE ORDER. IT IS TO BE RETURNED TO TYCO ELECTRONICS CORPORATION IF NOT SO. ANY REPRODUCTION OR DISTRIBUTION OF THIS DRAWING WITHOUT THE WRITTEN PERMISSION OF TYCO ELECTRONICS CORPORATION IS PROHIBITED.</small>		DWN T. YU 02JUL2008 CHK S. ZHAO 02JUL2008 APVD STEVEN YAO	Tyco Electronics Tyco Electronics incorporated Shanghai, P.R. China, 200233
DIMENSIONS: INCHES 	TOLERANCES UNLESS OTHERWISE SPECIFIED: 0 PLC ±. 1 PLC ±.01 2 PLC ±.01 3 PLC ±.005 4 PLC ±.0020 ANGLES ±.3	NAME STEVEN YAO PRODUCT SPEC 108-1973 APPLICATION SPEC 114-13038 WEIGHT - CUSTOMER DRAWING	SIZE A CAGE CODE 6450352 DRAWING NO 6450352-1 RESTRICTED TO - SCALE 4:1 SHEET 1 OF 2 REV A1

LOC	DIST	REVISIONS					
		P	LTN	DESCRIPTION	DATE	OWN	APVD
ES	00	-	-	SEE SHEET 1	-	-	-

PART NUMBER	ROWS	SIGNAL						POWER	
		6	5	4	3	2	1	P2	P1
6450352-1	D	E	E	E	E	E	E	VM	VA
	C	E	E	E	E	E	E		
	B	E	E	E	E	E	E		
	A	E	E	E	E	E	E		
2P + 24S									



DESCRIPTION	IDENTIFIER
SIGNAL CONTACT	E
POWER CONTACT, MFBL	VA
POWER CONTACT, STD	VM

<small>THIS DRAWING IS UNPUBLISHED. RELEASED FOR PUBLICATION 2008. IT IS THE PROPERTY OF TYCO ELECTRONICS CORPORATION. IT IS SUBJECT TO CHANGE AND WITHOUT WARRANTY. REVISIONS AND DIMENSIONS SHALL BE CONTACTED FOR THE LATEST REVISION.</small>		DWN T. YU 02JUL2008 CHK S. ZHAO 02JUL2008 APVD STEVEN YAO	Tyco Electronics incorporated Shanghai, P.R. China, 200233
DIMENSIONS: INCHES 	TOLERANCES UNLESS OTHERWISE SPECIFIED: 0 PLC ± 1 PLC ±.01 2 PLC ±.01 3 PLC ±.005 4 PLC ±.0020 ANGLES ±.3	NAME STEVEN YAO PRODUCT SPEC 108-1973 APPLICATION SPEC 114-13038 WEIGHT -	SIZE CAGE CODE DRAWING NO RESTRICTED TO A 100779 C=6450352 -
MATERIAL -	FINISH -	CUSTOMER DRAWING	SCALE 4:1 SHEET 2 OF 2 REV A1