

THIS DRAWING IS UNPUBLISHED.

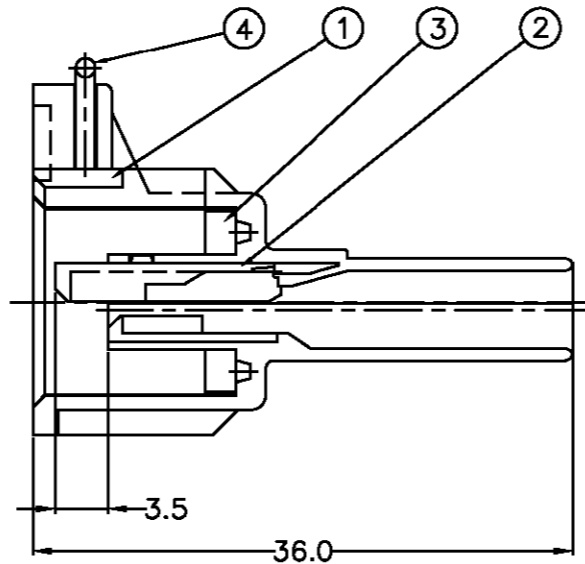
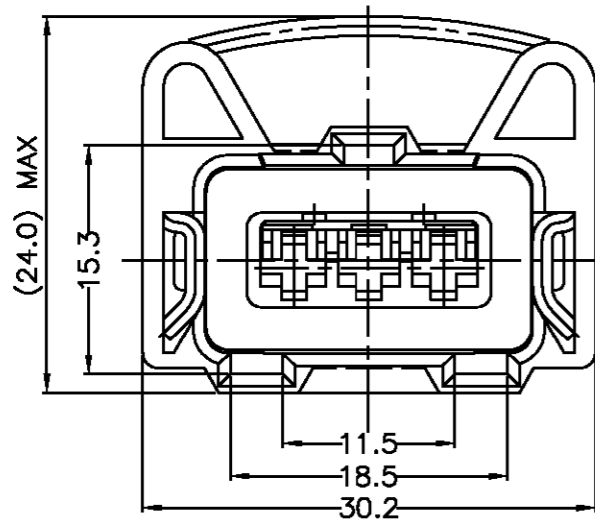
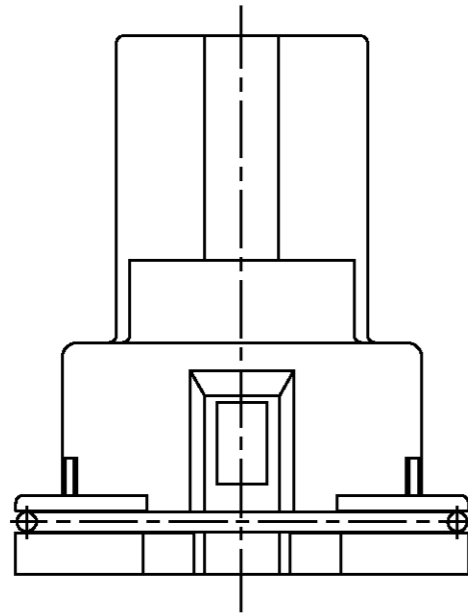
RELEASED FOR PUBLICATION

.20

© COPYRIGHT 19

BY AMP INCORPORATED. ALL RIGHTS RESERVED.

LOC	DIST	REVISIONS					
		P	LTR	DESCRIPTION	DATE	DWN	APVD
DS		C		REDRAWING WITHOUT CHANGE (FC00-0138-01)	'01 4/DEC	YD	CS



\* NOTES \*

- 1. APPLICABLE CONTACT P/N : 927770 / 927766
- 2. APPLICABLE WIRE SEAL P/N : 828904/828905/368064
- 3. APPLICABLE PRODUCT SPEC : 108-61000

P/N	DESCRIPTION
85196-1	Jr POWER TIMER 3P ASS'Y
85196-2	Jr POWER TIMER 3P ASS'Y
85196-3	Jr POWER TIMER 3P ASS'Y

NO	P/N	DESCRIPTION	MATERIAL	COLOR	REQUIRED QTY
4	85388-1	↑ SPRING	SUS 304		1 1 1
3	85384-1	↑ SEAL RUBBER	SILICONE	ORANGE	1 1 1
2	85207-1	↑ SPACER	PBT	YELLOW	1 1 1
1	ⓑ 85197-3	Jr POWER TIMER 3P HSG 'R' TYPE	PBT 30% GF	BLUE	
1	85197-2	Jr POWER TIMER 3P HSG 'R' TYPE	PBT 30% GF	DARK GRAY	1
1	85197-1	Jr POWER TIMER 3P HSG 'R' TYPE	PBT 30% GF	BLACK	1

DIMENSIONS: MM	TOLERANCES UNLESS OTHERWISE SPECIFIED: 0 <XX<10 ± 0.2 10 <XX<30 ± 0.25 30 <XX ± 0.3 ANGLES ± 3°	DWN : YD LEE		AMP KOREA. kyungsan, korea	
		CHK : BM JANG		NAME	
 3rd ANGLE PROJECTION	MATERIAL	APVD : CS LEE	JPT 3P ASS'Y (REVERSE TYPE)		
		PRODUCT SPEC	SIZE	CAGE CODE	DRAWING NO
	FINISH	APPLICATION SPEC	A3	00779	Ⓒ= 8 5 1 9 6
		WEIGHT 6.2 g	SCALE 2/1 SHEET 1 OF 1 REV C		