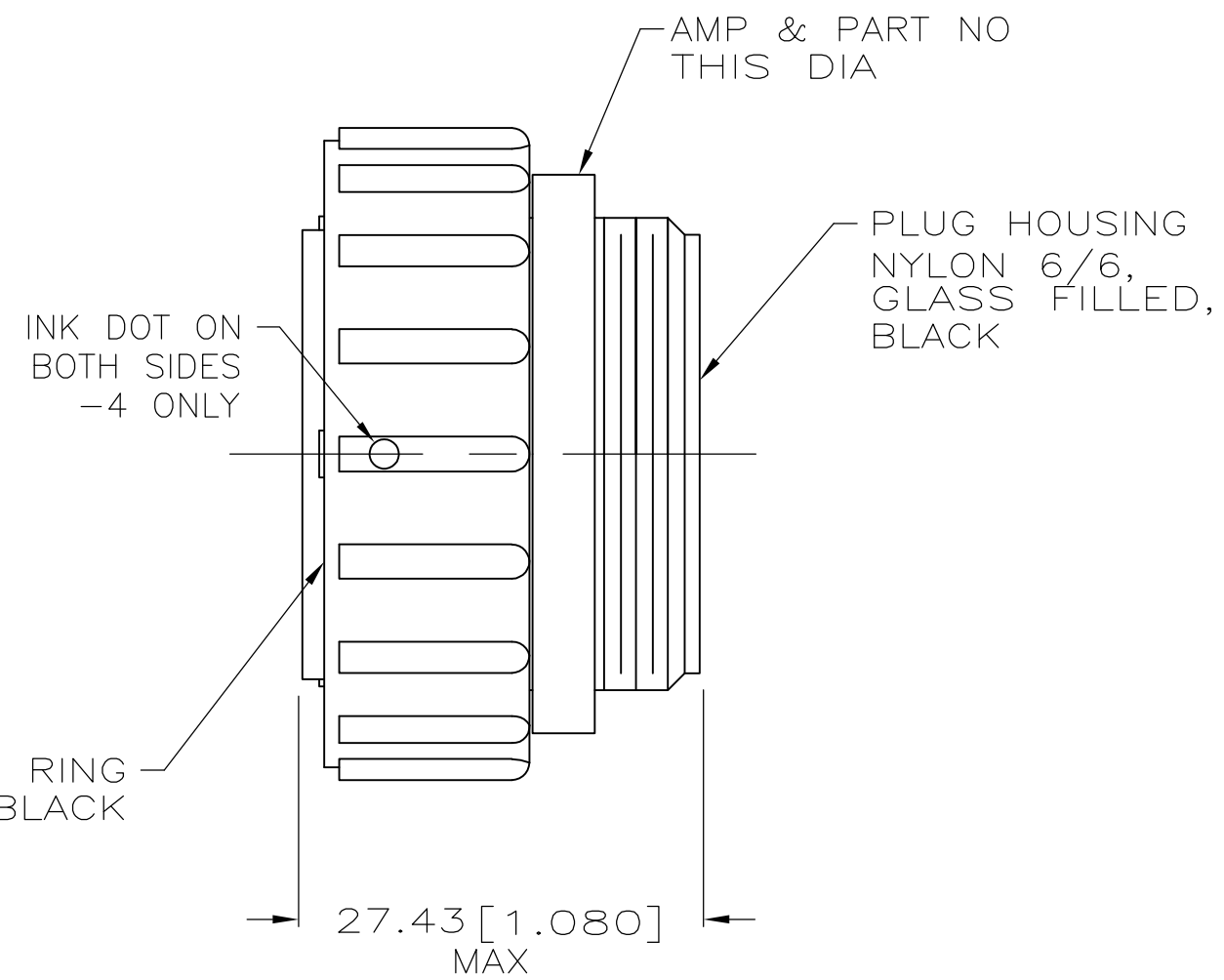
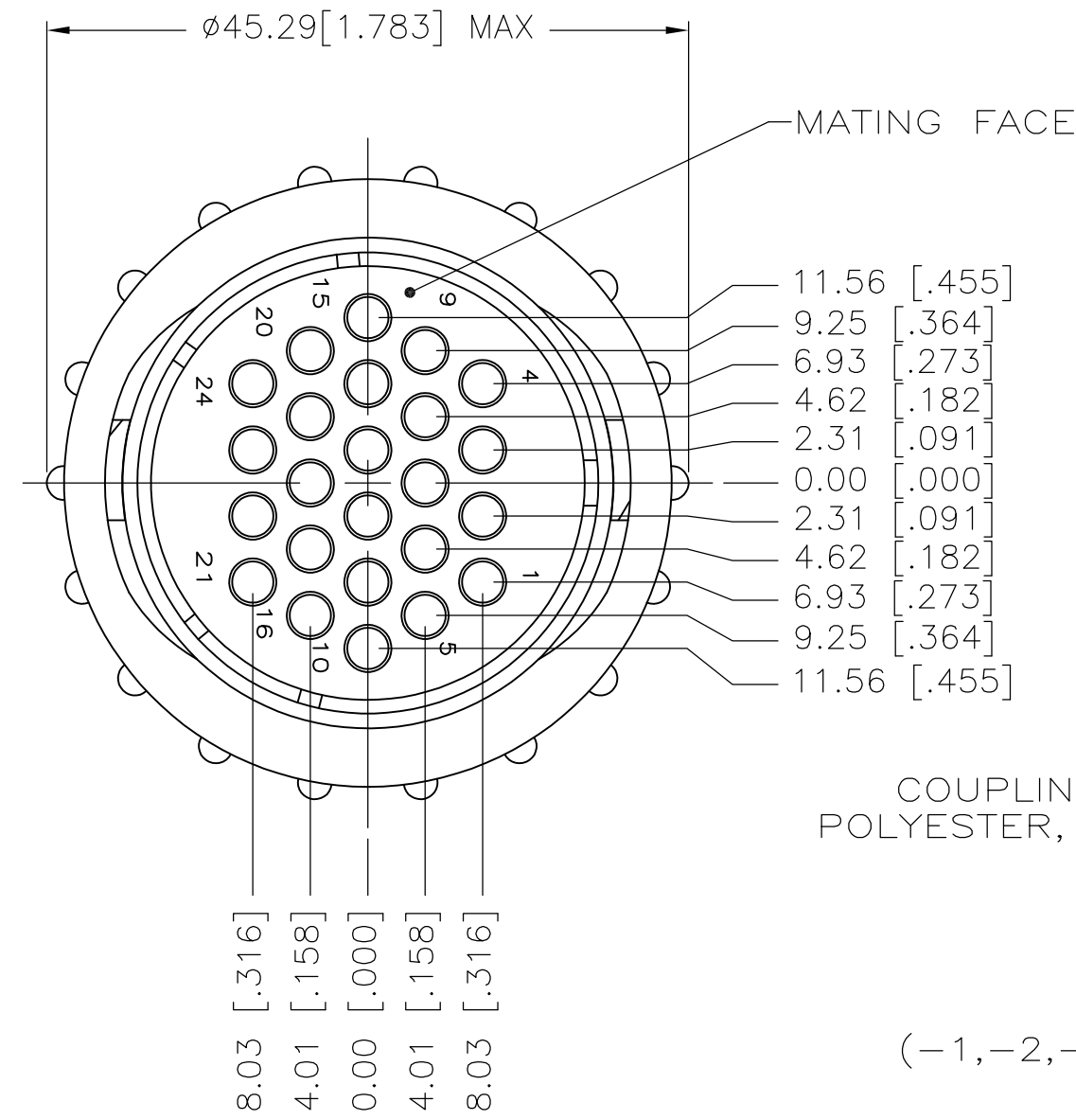
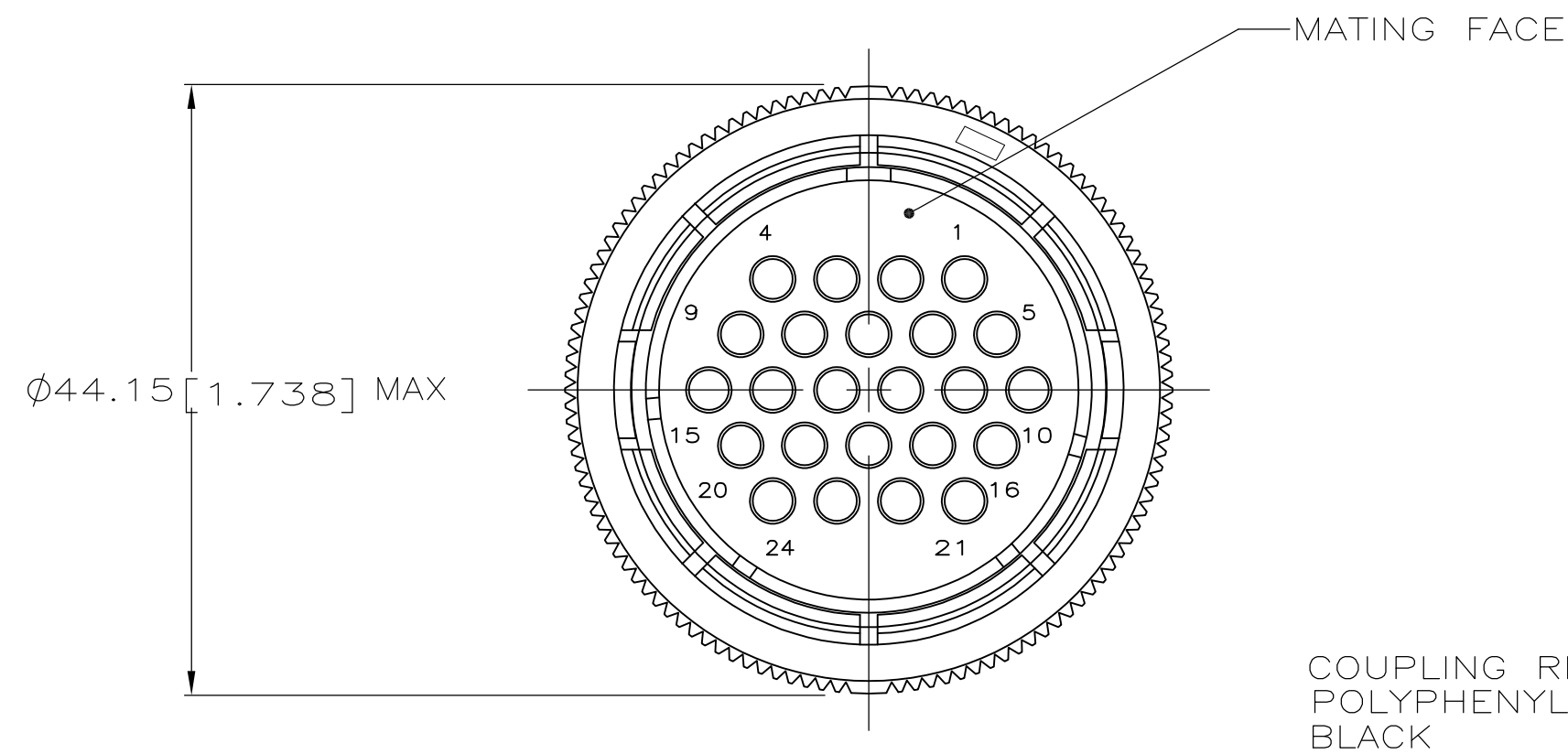


THIS DRAWING IS UNPUBLISHED. RELEASED FOR PUBLICATION
 © COPYRIGHT - By - ALL RIGHTS RESERVED.

LOC		DIST		REVISIONS			
P	LTR	DESCRIPTION		DATE	DWN	APVD	
FT	0	G2	REVISED PER ECO-11-004587		11MAR11	RK	HMR



(-1, -2, -4 & -5 ONLY)



(-3 ONLY)

4	STANDARD	206837-5
5	STANDARD	206837-4
	STANDARD	206837-3
	SMALL PACK	206837-2
	STANDARD	206837-1
	PACKAGING	PART NUMBER

- CONNECTOR WILL ACCEPT (24) MULTIMATE SOCKET CONTACTS.
- MAXIMUM INSULATION NOT TO EXCEED .150 DIA.
- CONTACT CAVITIES IDENTIFIED BY CHARACTERS ON FRONT AND REAR FACE OF CONNECTOR.

- 4 WHITE DOT NEAR POSITION 1 ON WIRE ENTRY FACE.
- 5 PRELIMINARY PART NUMBER.

THIS DRAWING IS A CONTROLLED DOCUMENT.

DIMENSIONS: mm [INCHES]	TOLERANCES UNLESS OTHERWISE SPECIFIED: 0 PLC ± - 1 PLC ± - 2 PLC ± - 3 PLC ± - 4 PLC ± - ANGLES ± - FINISH -	DWN S. RIDGLEY BG 31 JUL 90 CHK R. STONE 26 APR 91 APVD K. BEAVER 03 APR 91	TE Connectivity
MATERIAL SEE CALLOUT	FINISH -	PRODUCT SPEC 108-10024	NAME PLUG ASSEMBLY, SHELL SIZE 23, STANDARD SEX, SERIES 1, CPC
		WEIGHT -	SIZE A2 CAGE CODE 00779 DRAWING NO C=206837 RESTRICTED TO -
		CUSTOMER DRAWING	SCALE 2:1 SHEET 1 of 1 REV G2