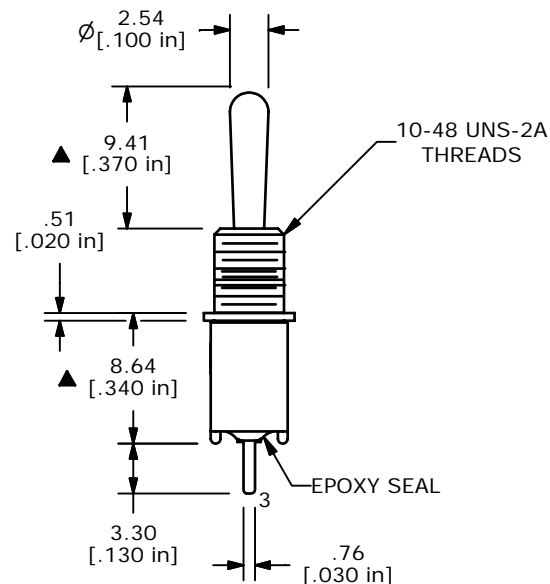
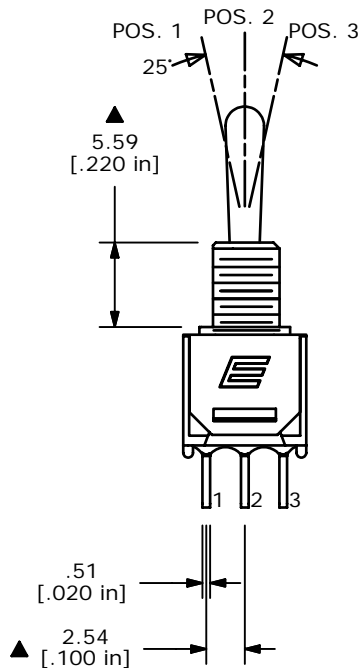
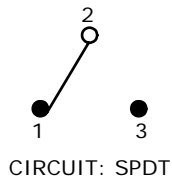


ISOMETRIC

| SWITCH FUNCTION |        |        |
|-----------------|--------|--------|
| POS. 1          | POS. 2 | POS. 3 |
|                 |        |        |
| ON              | OFF    | ON     |
| 2-3             | OPEN   | 2-1    |

(ON)=MOMENTARY



NOTE:

1. ALL DIMENSIONS IN MM [INCH]
2. GENERAL TOLERANCE: X.X=±0.4  
X.XX=±0.25
3. TERMINAL NUMBERS FOR REF ONLY
4. PLATING MATERIAL: SILVER
- ▲ 5. RATING: 3 AMPS @ 120VAC OR 28VDC  
1 AMPS @ 250VAC
6. ELECTRIC LIFE: 30,000 MAKE-AND-BREAK CYCLES AT FULL LOAD.
7. INSULATION RESISTANCE: 1,000 MΩ MIN.
8. DIELECTRIC STRENGTH: 1,000 V RMS @SEA LEVEL.
9. OPERATING TEMP.: -30°C to 85°C
10. ▲ DENOTES CRITICAL PARAMETER.
11. 2002/95/EC (ROHS) COMPLIANT

**E-SWITCH®**

|     |        |                         |          |    |
|-----|--------|-------------------------|----------|----|
| C   | 16797  | RELEASED FOR PRODUCTION | 12/27/06 | TN |
| REV | PCR NO | DESCRIPTION             | DATE     | BY |

|                       |            |    |         |     |
|-----------------------|------------|----|---------|-----|
| TITLE 200MSP3T1B1M2QE |            |    |         |     |
| SCALE                 | DATE       | DR | DWG     | REV |
| 2:1                   | 12/27/2006 | TN | T212002 | C   |

THE INFORMATION CONTAINED IN THIS DOCUMENT IS PROPRIETARY TO E-SWITCH AND IS NOT TO BE COPIED OR TRANSFERRED