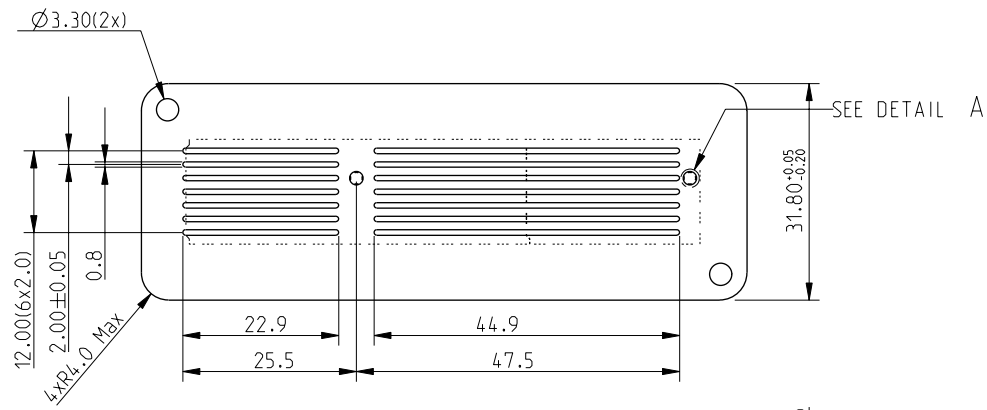
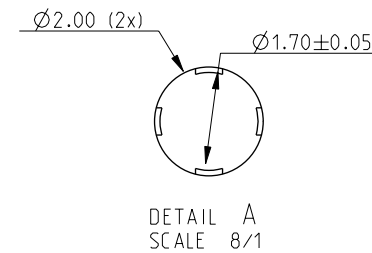
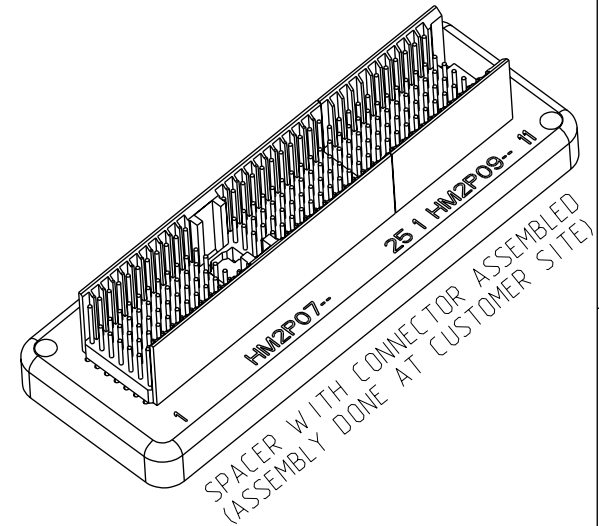
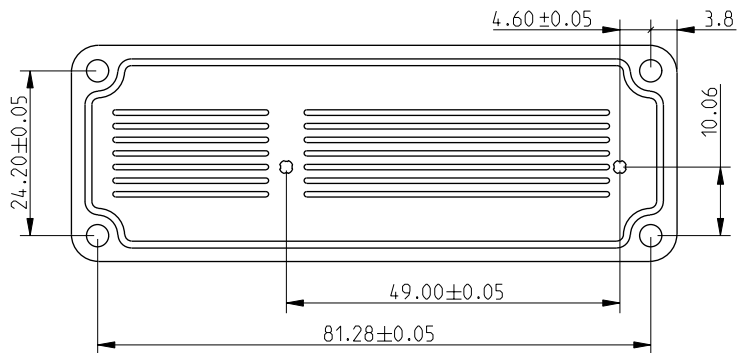
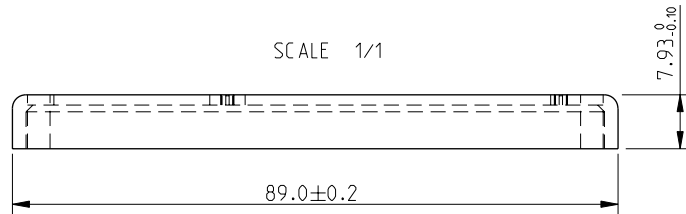




Copyright FCJ.



SCALE 1/1



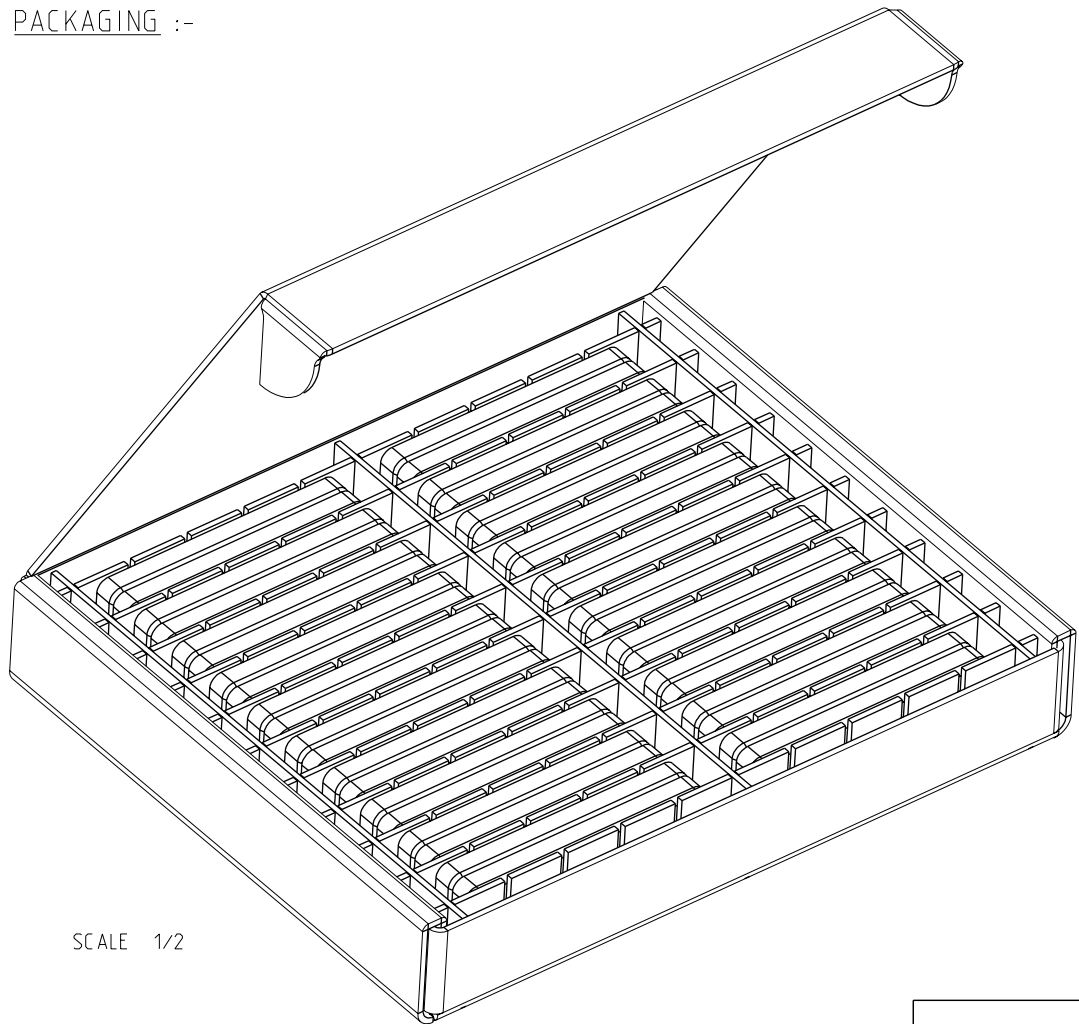
- NOTE:
1. PACK THE SPACERS IN HONEYCOMB BOX (PBHC-011) AS SHOWN
 2. PACKING QUANTITY = 40 PCS PER HONEYCOMB BOX
14 HONEYCOMB BOX PER MASTER CARTON (PBMC 015/8)
4 MASTER CARTON PER SUPER MASTER CARTON (PBSM 009)
 3. THE PRODUCT (LF) MEETS EUROPEAN UNION DIRECTIVES AND OTHER COUNTRY REGULATIONS AS DESCRIBED IN GS-22-008.

rev	ecn no	dr	date
A	105-0131	AB	2006-05-16
B	106-0058	AB	2006-05-30
C	106-0071	AB	2006-06-20
-	-	-	-
-	-	-	-
-	-	-	-

www.fciconnect.com		surface ISO 1302	tolerance std ISO 406 ISO 1101	projection mm	mm
		TOLERANCES UNLESS OTHERWISE SPECIFIED		size A4	Scale 1/6
Dr	Alex Babu	2005-07-29	ANGULAR	0.x	±0.2
Eng	Alex Babu	2005-07-29	LINEAR	0.xx	±0.1
Chr	Biju K Paul	2006-06-20	0° ±1°	0.xxx	±0.05
Appr	Biju K Paul	2006-06-20	Product family		ECN 105-0131
				Spec ref	
FCJ		title SPACER FOR MPACS 5R STR HDR SPACER (TYPE-A + TYPE-C)		diag no BSA203204001	
		catalog no HM2P01P2LF		Rev. C	
			CUSTOMER		sheet 1 of 2

REV F - 2006-04-17

PACKAGING :-



SCALE 1/2



Copyright FCJ.

www.fciconnect.com			surface ISO 1302	✓	tolerance std ISO 406 ISO 1101	projection ⊕	mm ↔
			TOLERANCES UNLESS OTHERWISE SPECIFIED				
Dr	Alex Babu	2005-07-29	ANGULAR		0.x	±0.2	size A4
Eng	Alex Babu	2005-07-29		LINEAR	0.xx	±0.1	Scale 1/6
Chr	Biju K Paul	2006-06-20	0° ±1°		0.xxx	±0.05	ECN 105-0131
Appr	Biju K Paul	2006-06-20	Product family MILLIPACS			Spec ref	
			title SPACER FOR MPACS 5R STR HDR SPACER (TYPE-A + TYPE-C)		dwg no BSA203204001		Rev. C
			catalog no HM2P01P2LF		CUSTOMER		sheet 2 of 2

REV F - 2006-04-17